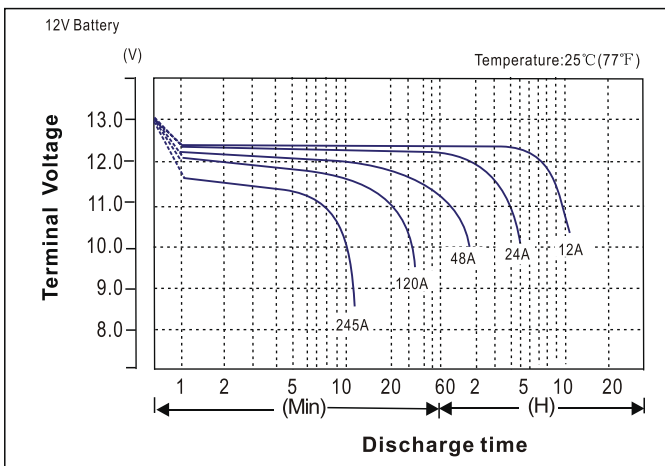
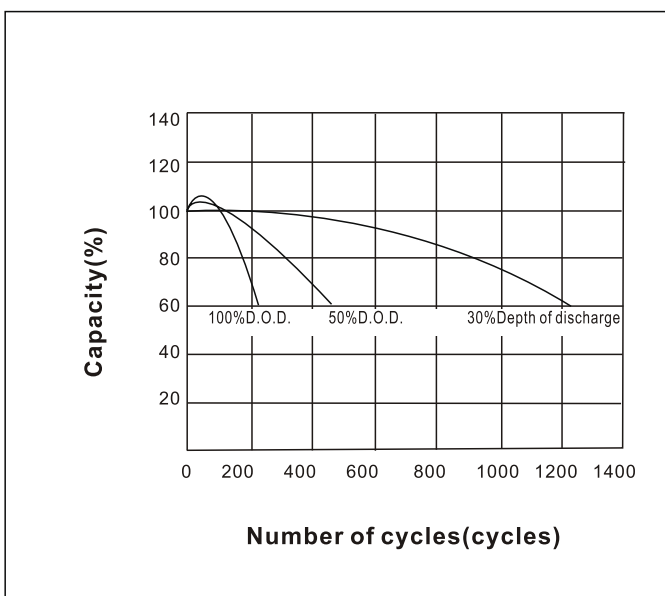
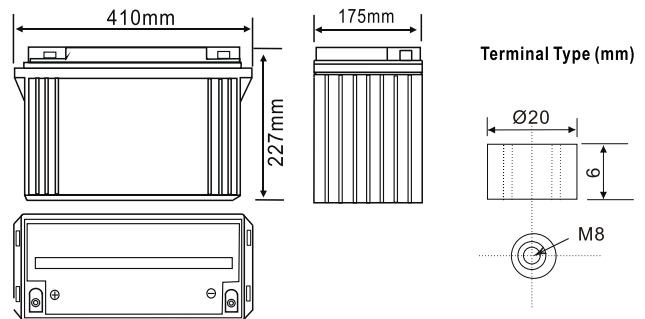


**UTY 12V-120 AH**

**Specifications**

Nominal Voltage		12V
Rated Capacity (10 HR)		120AH
Dimensions ± 1mm	Total Height	227mm(8.94 inches)
	Height	227mm(8.94 inches)
	Length	410mm(16.14 inches)
	Width	175mm(6.89 inches)
Weight		34.5kg(76.08 lbs)±3%
Terminal		M8

**Discharge characteristics**

**Cycle Life on D.O.D(25°C)**

**Appearance**

**Characteristics**

Capacity 77°F(25°C)	10 hour rate(12.0A)	120.0AH
	5 hour rate(21.0A)	105.0AH
	1hour rate(72A)	72.0AH
	15 min rate(200A)	50.0AH
Internal Resistance	Full charged Battery 77°F(25°C)	4m Ω
Capacity affected by Temperature (10 hour rate)	104°F(40°C)	102%
	77°F(25°C)	100%
	32°F(0°C)	85%
	5°F(-15°C)	65%
Self-Discharge 77°F(25°C)	Capacity after 3 month storage	91%
	Capacity after 6 month storage	82%
	Capacity after 12 month storage	64%
Max. Discharge Current 77°F(25°C)	960A(5S)	
Charge (constant voltage)	Cycle	Initial Charging Current 36 A or Smaller 14.50-14.90V/77°F(25°C)
	Float	13.50-13.80V/77°F(25°C)

**Constant Power Discharge Watts Per Cell @77°F(25°C)**

Time		5min	10min	15min	30min	1hr	2hr	3hr	5hr	8hr	10hr	20hr
9.60	A	380	255	200	128	72.0	43.8	30.6	21.4	14.7	12.2	6.41
	W	3990	2754	2196	1436	821	508	360	253	174	146	77.0
10.20	A	361	242	192	123	69.1	43.2	30.2	21.1	14.5	12.2	6.38
	W	3791	2616	2108	1379	788	500	355	250	172	145	76.6
10.80	A	339	228	182	117	65.7	41.5	29.1	20.4	14.0	12.0	6.30
	W	3563	2459	2003	1310	749	480	342	241	166	143	75.6