

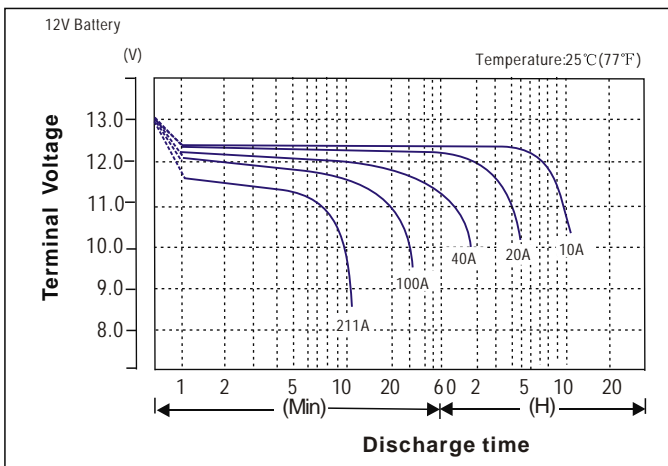
UTY 12V-100 AH



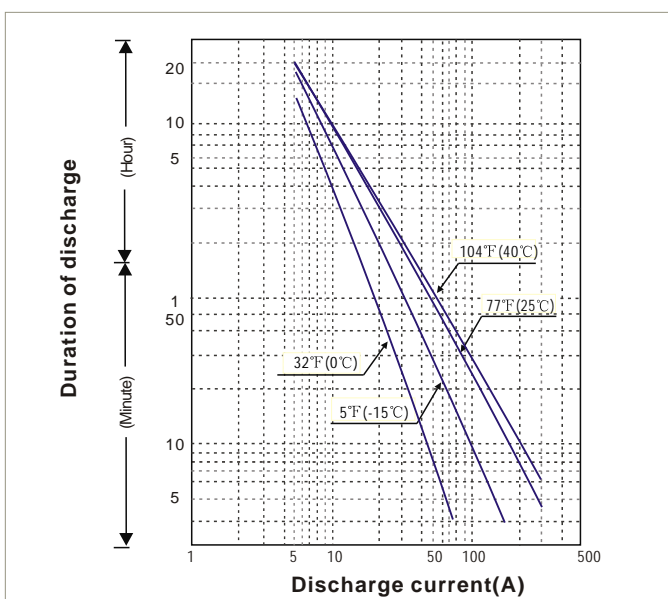
Specifications

Nominal Voltage		12V
Rated Capacity (10HR)		100AH
Dimensions ± 1mm	Total Height	220mm(8.66 inches)
	Height	214mm(8.43 inches)
	Length	330mm(12.99 inches)
	Width	171mm(6.73 inches)
Weight		Approx: 27.5kg(66.6 lbs)
Terminal		T5 , T9

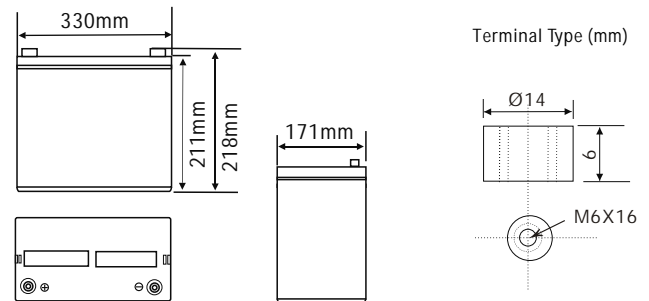
Discharge characteristics



Duration of discharge vs. Discharge current



Appearance



Characteristics

Capacity 77°F (25°C)	10 hour rate(10.0A)	100.0AH
	5 hour rate(16.4A)	82.0AH
	1hour rate(60A)	60.0AH
	15 min rate(170A)	42.5AH
Internal Resistance	Full charged Battery 77°F (25°C)	4.5m Ω
	104°F (40°C)	102%
	77°F (25°C)	100%
	32°F (0°C)	85%
Capacity affected by Temperature (10 hour rate)	5°F (-15°C)	65%
	Capacity after 3 month storage	91%
	Capacity after 6 month storage	82%
Self-Discharge 77°F (25°C)	Capacity after 12 month storage	64%
	Max. Discharge Current 77°F (25°C)	800A(5S)
Charge (constant voltage)	Cycle	Initial Charging Current 30 A or Smaller 14.50-14.90V/77°F (25°C)
	Float	13.50-13.80V/77°F (25°C)

Constant Power Discharge Watts Per Cell @ 77°F (25°C)

Time	5min	10min	15min	30min	1hr	2hr	3hr	5hr	8hr	10hr	20hr	
9.60	A	320	211	170	114	60	35	25.7	16.5	11.7	10.5	5.67
	W	3305	2253	1824	1226	648	384	286	188	134	121	65.9
10.20	A	302	190	160	109	56.4	33.4	25	16.2	11.4	10.3	5.5
	W	3229	2126	1793	1224	638	385	290	189	133	121	64.5
10.80	A	245	161	130	94	52.8	31.8	23.8	15.6	11	10	5.4
	W	2753	1851	1500	1089	615	372	281	184	130	119	64.3