

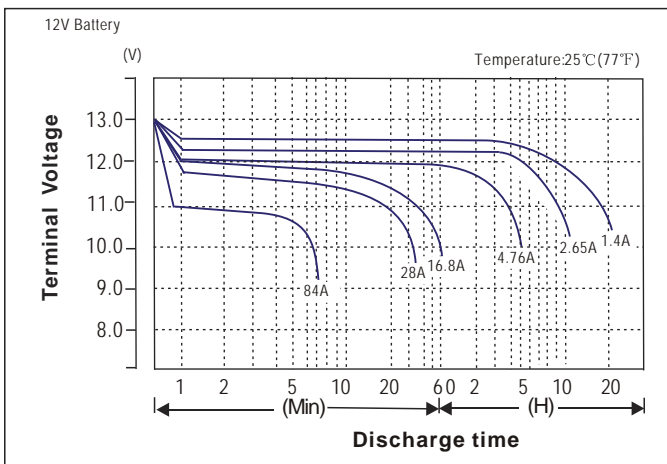
**UTY 12V-28 AH**



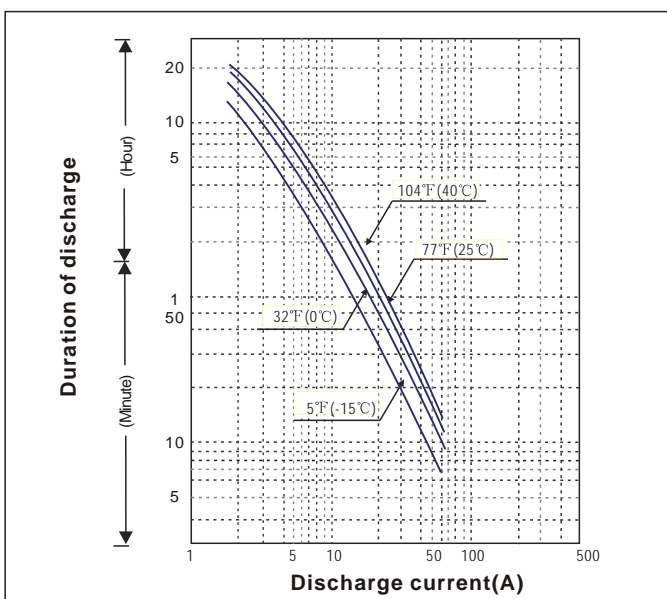
**Specifications**

Nominal Voltage		12V
Rated Capacity (20HR)		28AH
Dimensions ± 1mm	Total Height	175mm(6.89 inches)
	Height	175mm(6.89 inches)
	Length	165mm(6.50 inches)
	Width	125mm(4.92 inches)
Weight		Approx: 8.8kg(19.41 lbs)
Terminal		Silver Copper M5

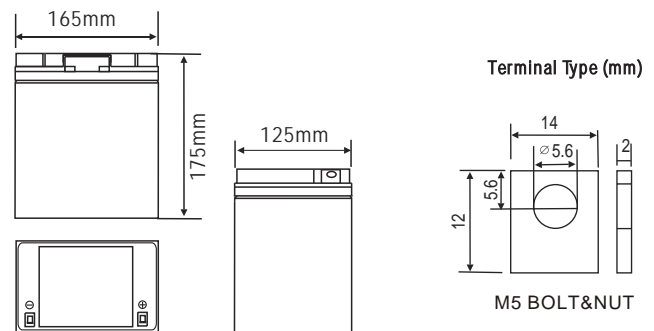
**Discharge characteristics**



**Duration of discharge vs. Discharge current**



**Appearance**



**Characteristics**

Capacity 77°F (25°C)	20 hour rate(1.20A)	28.0AH
	10 hour rate(2.65A)	26.5AH
	5 hour rate(4.90A)	24.5AH
	1hour rate(18.5A)	18.5 AH
	15 min rate(48.0A)	12AH
Internal Resistance	Full charged Battery 77°F (25°C)	11m Ω
	104°F (40°C)	102%
	77°F (25°C)	100%
Capacity affected by Temperature (20 hour rate)	32°F (0°C)	85%
	5°F (-15°C)	65%
	Self-Discharge 77°F (25°C)	Capacity after 3 month storage
	Capacity after 6 month storage	82%
	Capacity after 12 month storage	64%
Max. Discharge Current 77°F (25°C)	420A(5S)	
Charge (constant voltage)	Cycle	Initial Charging Current 8.4 A or Smaller 14.50-14.90V/77°F (25°C)
	Float	13.50-13.80V/77°F (25°C)

**Constant Power Discharge Watts Per Cell @77°F (25°C)**

F.V/ time	5min	10min	15min	30min	1hr	2hr	3hr	5hr	8hr	10hr	20hr	
9.60	A	100.8	66.1	49	32.3	16.8	9.8	7.21	4.91	3.24	2.65	1.45
	W	1189	746.7	564.7	341.8	193.7	113.4	83.42	56.82	37.45	30.68	16.8
10.20	A	92.4	63.2	45	30.6	15.8	9.4	7.0	4.82	3.19	2.60	1.41
	W	1118.7	707	530.8	339.5	182	108.9	81.08	55.77	36.87	30.1	16.33
10.80	A	80.7	56.5	39.2	28.8	14.7	9.0	6.77	4.55	3.07	2.51	1.37
	W	947.3	665	488.8	334.8	171.5	104.5	78.75	52.97	35.0	29.17	15.87