

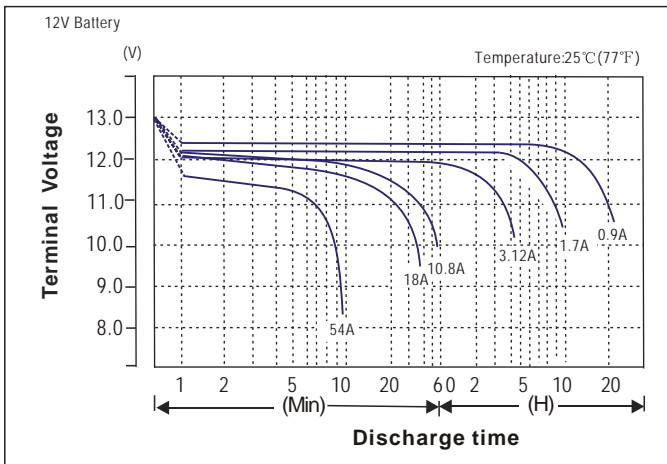
**UTY 12V-18 AH**



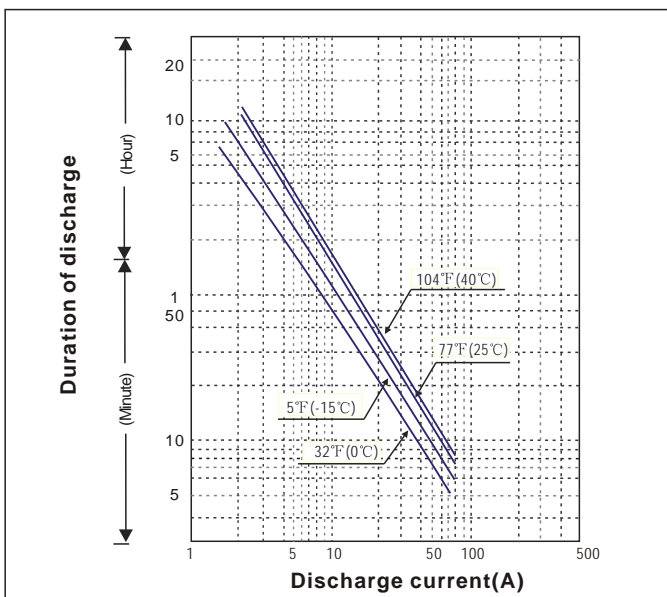
**Specifications**

|                       |              |                       |
|-----------------------|--------------|-----------------------|
| Nominal Voltage       |              | 12V                   |
| Rated Capacity (20HR) |              | 18AH                  |
| Dimensions<br>± 1mm   | Total Height | 167mm(6.57 inches)    |
|                       | Height       | 167mm(6.57 inches)    |
|                       | Length       | 181mm(7.31 inches)    |
|                       | Width        | 77mm(3.03 inches)     |
| Weight                |              | Approx: 5kg(11.03lbs) |
| Terminal              |              | T3、T13                |

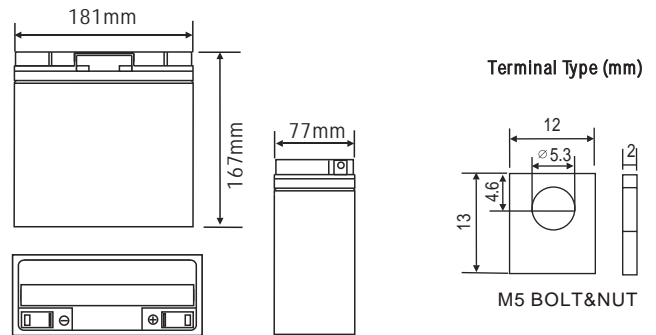
**Discharge characteristics**



**Duration of discharge vs. Discharge current**



**Appearance**



**Characteristics**

|   |                                  |   |
|---|----------------------------------|---|
| Capacity<br>77°F (25°C)                               | 20 hour rate(0.9A)               | 18.0AH  |
|   | 10 hour rate(1.66A)              | 16.6AH  |
|   | 5 hour rate(3.06A)               | 15.3AH  |
|   | 1hour rate(10.8A)                | 10.8AH  |
|   | 15 min rate(31.5A)               | 7.88AH  |
| Internal Resistance                                   | Full charged Battery 77°F (25°C) | 14mΩ  |
|   | 104°F (40°C)                     | 102%  |
| Capacity affected<br>by Temperature<br>(20 hour rate) | 77°F (25°C)                      | 100%  |
|   | 32°F (0°C)                       | 85%   |
|   | 5°F (-15°C)                      | 65%   |
| Self-Discharge<br>77°F (25°C)                         | Capacity after 3 month storage   | 91%   |
|   | Capacity after 6 month storage   | 82%   |
|   | Capacity after 12 month storage  | 64%   |
| Max. Discharge Current 77°F (25°C)                    |                                  | 270A(5S)  |
| Charge<br>(constant voltage)                          | Cycle                            | Initial Charging Current 5.4 A or Smaller<br>14.50-14.90V/77°F (25°C) |
|   | Float                            | 13.50-13.80V/77°F (25°C)  |

**Constant Power Discharge Watts Per Cell @77°F (25°C)**

| Time  |   | 5min | 10min | 15min | 30min | 1hr  | 2hr  | 3hr  | 5hr  | 8hr  | 10hr | 20hr |
|-------|---|------|-------|-------|-------|------|------|------|------|------|------|------|
| 9.60  | A | 64.8 | 42.5  | 31.5  | 20.7  | 10.8 | 6.30 | 4.64 | 3.16 | 2.08 | 1.70 | 0.93 |
|       | W | 673  | 456   | 338   | 223   | 117  | 69.2 | 51.6 | 35.9 | 23.9 | 19.7 | 10.8 |
| 10.20 | A | 59.4 | 40.6  | 28.9  | 19.7  | 10.1 | 6.04 | 4.50 | 3.10 | 2.05 | 1.67 | 0.91 |
|       | W | 638  | 454   | 324   | 221   | 115  | 69.7 | 52.1 | 36.1 | 24.0 | 19.6 | 10.6 |
| 10.80 | A | 52.0 | 36.3  | 25.2  | 18.5  | 9.48 | 5.77 | 4.35 | 2.93 | 1.97 | 1.61 | 0.88 |
|       | W | 583  | 419   | 290   | 215   | 110  | 67.6 | 51.3 | 34.6 | 23.4 | 19.2 | 10.5 |