

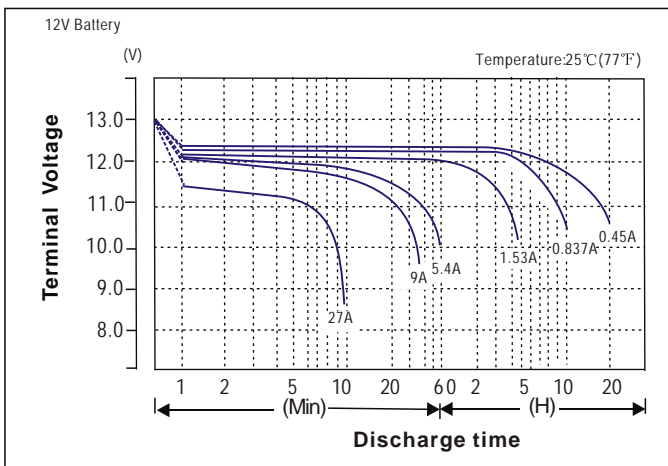
UTY 12V-9 AH



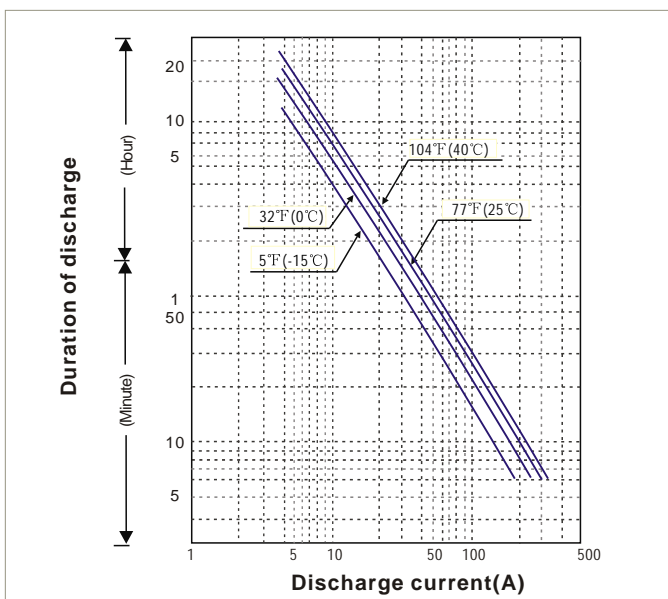
Specifications

Nominal Voltage		12V
Rated Capacity (20HR)		9AH
Dimensions ± 1mm	Total Height	100mm(3.94 inches)
	Height	95mm(3.74 inches)
	Length	151mm(5.94 inches)
	Width	65mm(2.56 inches)
Weight		Approx: 2.45kg(5.4 lbs)
Terminal		T1, T2

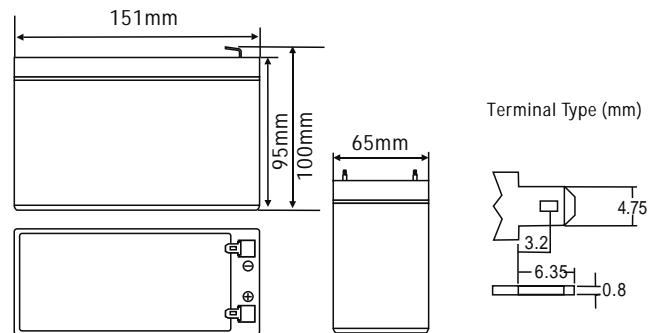
Discharge characteristics



Duration of discharges vs. Discharge current



Appearance



Characteristics

Capacity 77°F (25°C)	20 hour rate(0.45A)	9.00AH
	10 hour rate(0.83A)	8.30AH
	5 hour rate(1.53A)	7.65AH
	1hour rate(5.40A)	5.40AH
	15 min rate(15.76A)	3.94AH
Internal Resistance	Full charged Battery 77°F (25°C)	18mΩ
	104°F (40°C)	102%
	77°F (25°C)	100%
	32°F (0°C)	85%
Capacity affected by Temperature (20 hour rate)	5°F (-15°C)	65%
	Capacity after 3 month storage	91%
	Capacity after 6 month storage	82%
Self-Discharge 77°F (25°C)	Capacity after 12 month storage	64%
	Max. Discharge Current 77°F (25°C)	135A(5S)
Charge (constant voltage)	Cycle	Initial Charging Current 2.7 A or Smaller 14.50-14.90V/77°F (25°C)
	Float	13.50-13.80V/77°F (25°C)

Constant Power Discharge Watts Per Cell @ 77°F (25°C)

Time	5min	10min	15min	30min	1hr	2hr	3hr	5hr	8hr	10hr	20hr	
9.60	A	36.0	24.3	17.1	10.35	5.40	3.15	2.32	1.58	1.04	0.66	0.47
	W	382.1	258.0	181.5	109.9	62.3	36.5	26.81	12.04	12.04	7.67	5.40
10.20	A	32.4	22.1	15.4	9.83	5.07	3.02	2.25	1.55	1.02	0.65	0.45
	W	359.6	245.3	170.6	109.1	58.5	35.0	26.06	17.93	11.85	7.53	5.25
10.80	A	28.5	19.95	13.5	9.26	4.74	2.89	2.18	1.46	0.99	0.63	0.44
	W	331.5	231.8	157.1	107.6	56.8	33.6	25.31	17.03	11.25	7.29	5.10