

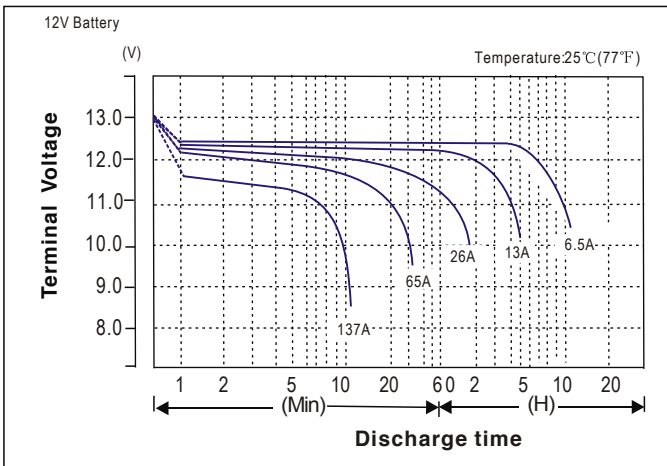
UTY 12V-65 AH



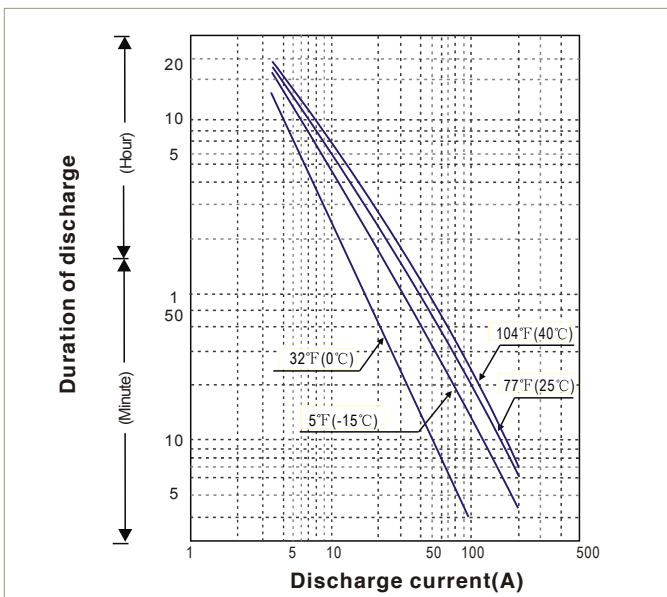
Specifications

Nominal Voltage		12V
Rated Capacity (10HR)		65AH
Dimensions ± 1mm	Total Height	179mm(7.05 inches)
	Height	179mm(7.05 inches)
	Length	350mm(13.78 inches)
	Width	167mm(6.57 inches)
Weight		Approx: 20.3kg(44.75 lbs)
Terminal		T5 ,T9

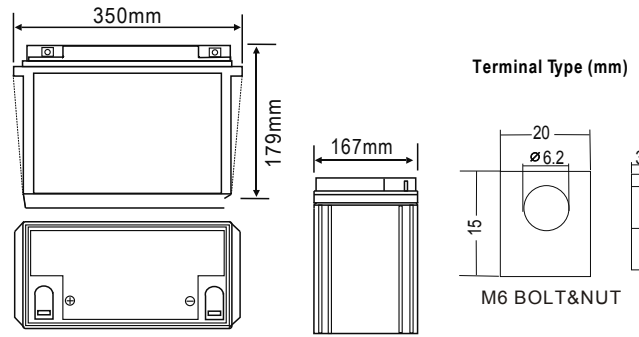
Discharge characteristics



Duration of discharge vs. Discharge current



Appearance



Characteristics

Capacity 77°F (25°C)	10 hour rate(6.5A)	65.0AH
	5 hour rate(10.6A)	53.0AH
	1hour rate(39A)	39.0AH
	15 min rate(110A)	27.5AH
Internal Resistance	Full charged Battery 77°F (25°C)	6m Ω
	104°F (40°C)	102%
	77°F (25°C)	100%
	32°F (0°C)	85%
Capacity affected by Temperature (10 hour rate)	5°F (-15°C)	65%
	Capacity after 3 month storage	91%
	Capacity after 6 month storage	82%
Self-Discharge 77°F (25°C)	Capacity after 12 month storage	64%
	Max. Discharge Current 77°F (25°C)	650A(5S)
Charge (constant voltage)	Cycle	Initial Charging Current 19.5 A or Smaller 14.50-14.90V/77°F (25°C)
	Float	13.50-13.80V/77°F (25°C)

Constant Power Discharge Watts Per Cell @77°F (25°C)

Time	5min	10min	15min	30min	1hr	2hr	3hr	5hr	8hr	10hr	20hr
9.60	A	208	137	111	74.1	39	22.8	16.7	10.7	7.61	3.69
	W	2149	1465	1185	797	421	250	186	122	87	42.9
10.20	A	202	124	104	70.9	36.7	21.7	16.3	10.5	7.41	3.58
	W	2129	1382	1165	795	415	250	188	123	87	41.9
10.80	A	160	104	85	61.1	34.3	20.7	15.5	10.1	7.15	3.51
	W	1790	1203	975	708	399	242	182	120	85	41.8