



UTY SERIES

Maintenance-Free Rechargeable VRLA Battery

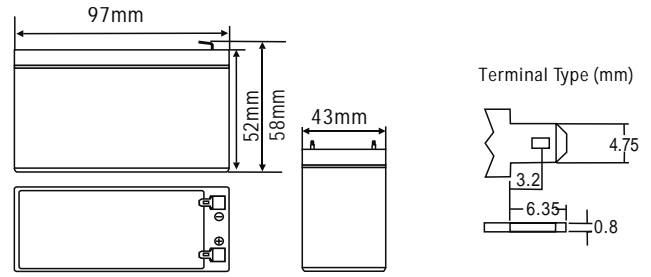
UTY 12V-1.3 AH



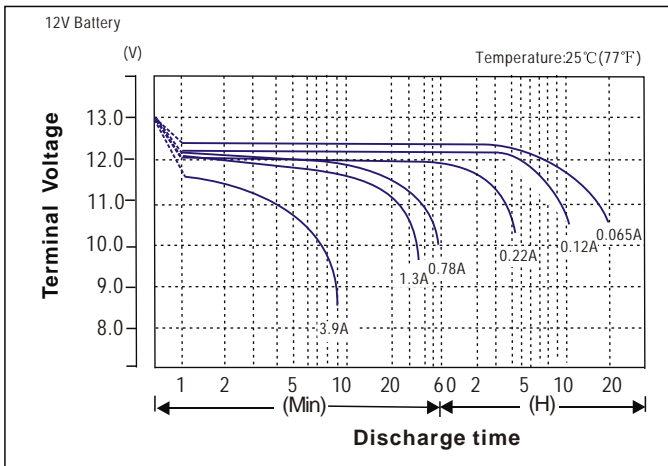
Specifications

Nominal Voltage		12V
Rated Capacity (20HR)		1.3AH
Dimensions ± 1mm	Total Height	58mm(2.29 inches)
	Height	95mm(2.05 inches)
	Length	97mm(3.82 inches)
	Width	43mm(1.69 inches)
Weight		Approx: 0.56kg(1.23 lbs)
Terminal		T1、T2

Appearance



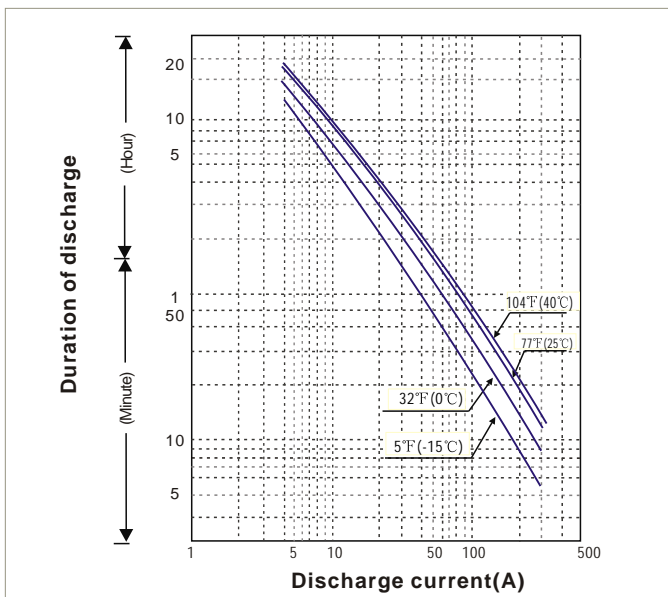
Discharge characteristics



Characteristics

Capacity 77°F (25°C)	20 hour rate(0.065A)	1.30AH
	10 hour rate(0.012A)	1.20AH
	5 hour rate(0.21A)	1.05AH
	1hour rate(0.85A)	0.85AH
	15 min rate(2.4A)	0.6AH
Internal Resistance	Full charged Battery 77°F (25°C)	90m Ω
	104°F (40°C)	102%
	Capacity affected by Temperature (20 hour rate)	77°F (25°C) 100% 32°F (0°C) 85% 5°F (-15°C) 65%
Self-Discharge 77°F (25°C)	Capacity after 3 month storage	91%
	Capacity after 6 month storage	82%
	Capacity after 12 month storage	64%
Max. Discharge Current 77°F (25°C)		19.5A(5S)
Charge (constant voltage)	Cycle	Initial Charging Current 0.39 A or Smaller 14.50-14.90V/77°F (25°C)
	Float	13.50-13.80V/77°F (25°C)

Duration of discharge vs. Discharge current



Constant Power Discharge Watts Per Cell @ 77°F (25°C)

Time	5min	10min	15min	30min	1hr	2hr	3hr	5hr	8hr	10hr	20hr
9.60	A	28.0	18.9	13.3	8.05	4.20	2.45	1.80	1.23	0.81	0.66
	W	297.2	200.7	141.2	85.5	48.4	28.4	20.85	14.2	9.36	7.67
10.20	A	25.2	17.2	11.96	7.64	3.94	2.35	1.75	1.20	0.80	0.65
	W	279.7	190.8	132.7	84.9	45.5	27.2	20.27	13.94	9.22	7.53
10.80	A	22.2	15.5	10.5	7.20	3.69	2.25	1.69	1.14	0.77	0.63
	W	257.8	180.3	122.2	83.7	42.9	26.1	19.69	13.24	8.75	7.29



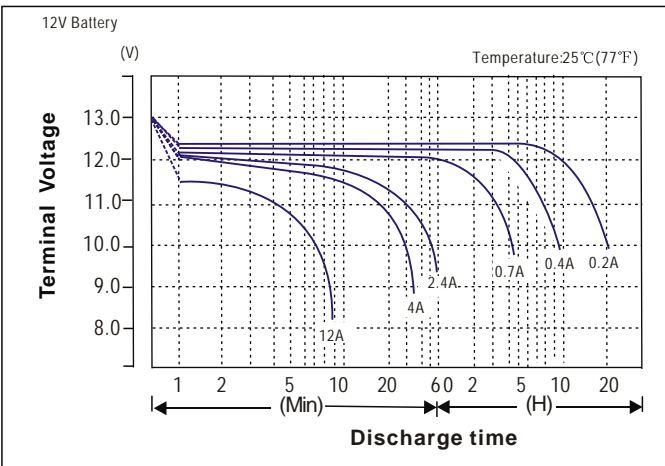
UTY 12V-4 AH



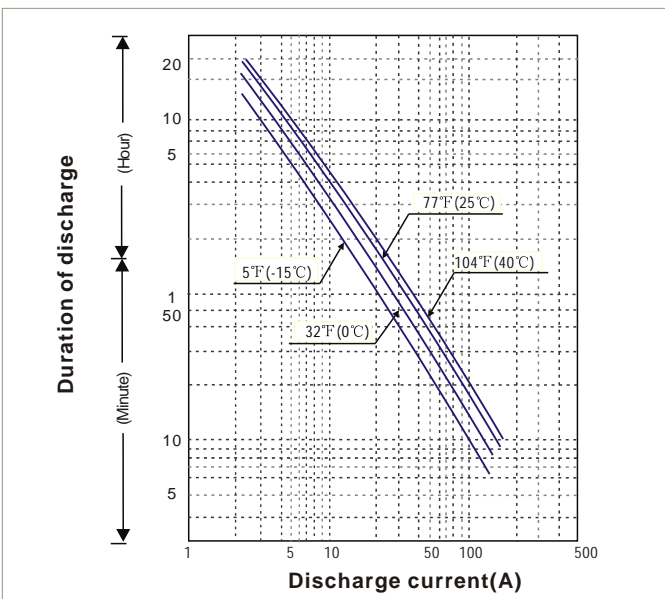
Specifications

Nominal Voltage		12V
Rated Capacity (20HR)		4AH
Dimensions ± 1mm	Total Height	106mm(4.17 inches)
	Height	101mm(3.98 inches)
	Length	90mm(3.54 inches)
	Width	70mm(2.76 inches)
Weight		Approx: 1.35kg(2.97 lbs)
Terminal		T1

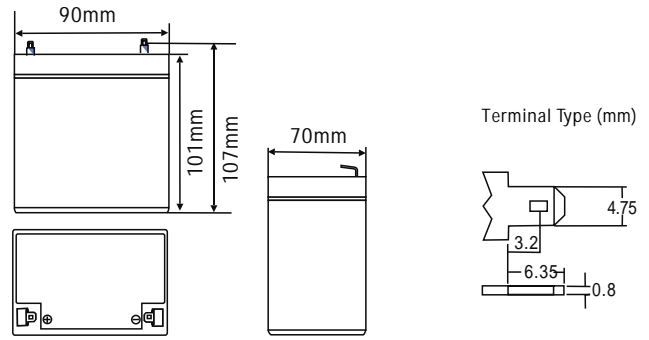
Discharge characteristics



Duration of discharges vs. Discharge current



Appearance



Characteristics

Capacity 77°F (25°C)	20 hour rate(0.20A)	4.00AH
	10 hour rate(0.37A)	3.70AH
	5 hour rate(0.68A)	3.40AH
	1hour rate(2.40A)	2.40AH
	15 min rate(7.00A)	1.75AH
Internal Resistance	Full charged Battery 77°F (25°C)	40m Ω
	104°F (40°C)	102%
Capacity affected by Temperature (20 hour rate)	77°F (25°C)	100%
	32°F (0°C)	85%
	5°F (-15°C)	65%
	Capacity after 3 month storage	91%
Self-Discharge 77°F (25°C)	Capacity after 6 month storage	82%
	Capacity after 12 month storage	64%
	Max. Discharge Current 77°F (25°C)	60A(5S)
Charge (constant voltage)	Cycle	Initial Charging Current 1.2 A or Smaller 14.50-14.90V/77°F (25°C)
	Float	13.50-13.80V/77°F (25°C)

Constant Power Discharge Watts Per Cell @ 77°F (25°C)

Time	5min	10min	15min	30min	1hr	2hr	3hr	5hr	8hr	10hr	20hr	
9.60	A	14.4	9.44	7.00	4.60	2.40	1.40	1.03	0.70	0.46	0.38	0.21
	W	149	101	75.1	49.5	25.9	15.4	11.5	7.98	5.31	4.37	2.40
10.20	A	13.2	9.03	6.43	4.37	2.25	1.34	1.00	0.69	0.46	0.37	0.20
	W	142	101	72.0	49.0	25.5	15.5	11.6	8.02	5.32	4.37	2.37
10.80	A	11.5	8.07	5.60	4.12	2.11	1.28	0.97	0.65	0.44	0.36	0.20
	W	130	93.0	64.5	47.7	24.5	15.0	11.4	7.68	5.19	4.26	2.32

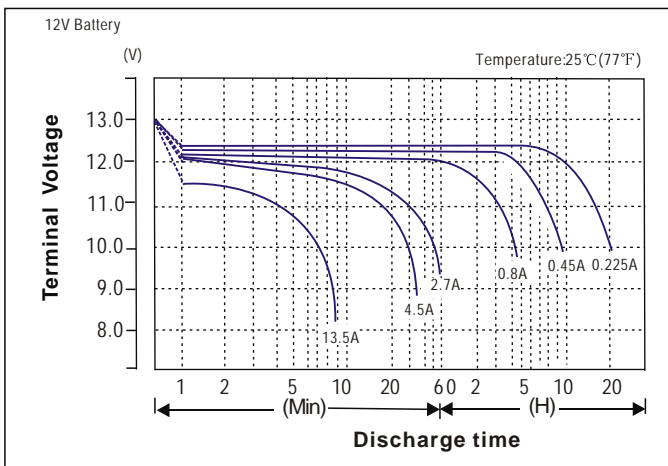
UTY 12V-4.5 AH



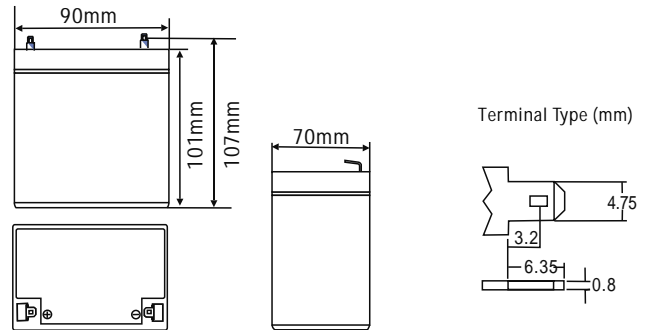
Specifications

Nominal Voltage		12V
Rated Capacity (20HR)		4.5AH
Dimensions ± 1mm	Total Height	107mm(4.21 inches)
	Height	101mm(3.98 inches)
	Length	90mm(3.54 inches)
	Width	70mm(2.76 inches)
Weight		Approx: 1.5kg(3.31 lbs)
Terminal		T1

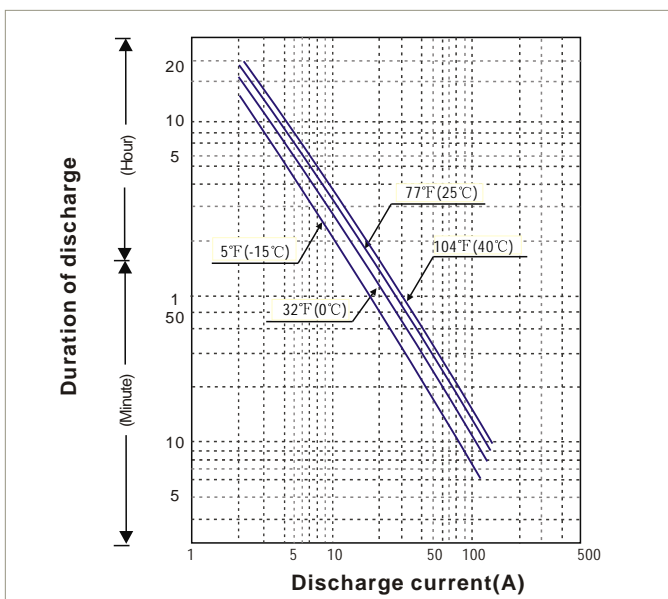
Discharge characteristics



Appearance



Duration of discharge vs. Discharge current



Characteristics

Capacity 77°F (25°C)	20 hour rate(0.225A)	4.50AH
	10 hour rate(0.42A)	4.20AH
	5 hour rate(0.78A)	3.90AH
	1hour rate(2.70A)	2.70AH
	15 min rate(8.40A)	2.10AH
Internal Resistance	Full charged Battery 77°F (25°C)	40m Ω
	104°F (40°C)	102%
	77°F (25°C)	100%
	32°F (0°C)	85%
Capacity affected by Temperature (20 hour rate)	5°F (-15°C)	65%
	Capacity after 3 month storage	91%
	Capacity after 6 month storage	82%
	Capacity after 12 month storage	64%
Self-Discharge 77°F (25°C)		
Max. Discharge Current 77°F (25°C)		68A(5S)
Charge (constant voltage)	Cycle	Initial Charging Current 1.35 A or Smaller 14.50-14.90V/77°F (25°C)
	Float	13.50-13.80V/77°F (25°C)

Constant Power Discharge Watts Per Cell @ 77°F (25°C)

Time	5min	10min	15min	30min	1hr	2hr	3hr	5hr	8hr	10hr	20hr	
9.60	A	18.0	12.15	8.55	5.18	2.70	1.58	1.16	0.79	0.52	0.43	0.23
	W	191.1	129	90.8	54.9	31.1	18.2	13.41	9.13	6.02	4.93	2.70
10.20	A	16.2	11.06	7.69	4.91	2.53	1.51	1.13	0.77	0.51	0.42	0.23
	W	179.8	122.06	85.3	54.6	29.3	17.5	13.03	8.96	5.93	4.84	2.62
10.80	A	14.3	9.98	6.75	4.63	2.37	1.44	1.09	0.73	0.49	0.40	0.22
	W	165.7	115.9	78.6	53.8	27.6	16.8	12.66	8.51	5.63	4.69	2.55



UTY SERIES

Maintenance-Free Rechargeable VRLA Battery

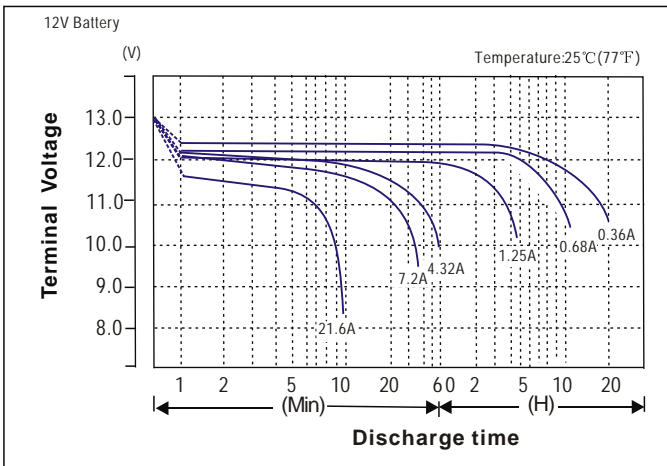
UTY 12V-7.2 AH



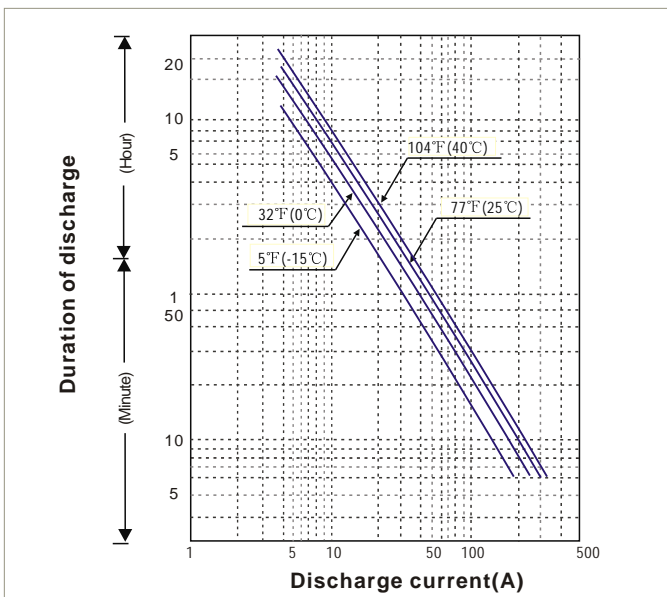
Specifications

Nominal Voltage		12V
Rated Capacity (20HR)		7.2AH
Dimensions ± 1mm	Total Height	100mm(3.94 inches)
	Height	95mm(3.74 inches)
	Length	151mm(5.94 inches)
	Width	65mm(2.56 inches)
Weight		Approx: 2.1kg(4.63 lbs)
Terminal		T1、T2

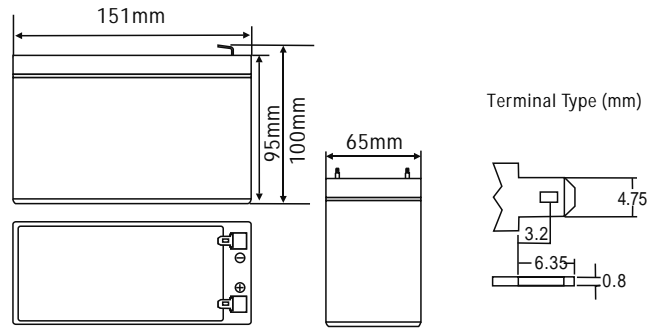
Discharge characteristics



Duration of discharges vs. Discharge current



Appearance



Characteristics

Capacity 77°F (25°C)	20 hour rate(0.35A)	7.20AH
	10 hour rate(0.68A)	6.80AH
	5 hour rate(1.28A)	6.40AH
	1hour rate(4.60A)	4.60AH
	15 min rate(12.6A)	3.15AH
Internal Resistance	Full charged Battery 77°F (25°C)	22mΩ
	104°F (40°C)	102%
	77°F (25°C)	100%
	32°F (0°C)	85%
Capacity affected by Temperature (20 hour rate)	5°F (-15°C)	65%
	Capacity after 3 month storage	91%
	Capacity after 6 month storage	82%
Self-Discharge 77°F (25°C)	Capacity after 12 month storage	64%
	Max. Discharge Current 77°F (25°C)	108A(5S)
Charge (constant voltage)	Cycle	Initial Charging Current 2.16 A or Smaller 14.50-14.90V/77°F (25°C)
	Float	13.50-13.80V/77°F (25°C)

Constant Power Discharge Watts Per Cell @ 77°F (25°C)

Time	5min	10min	15min	30min	1hr	2hr	3hr	5hr	8hr	10hr	20hr
9.60	A	28.0	18.9	13.3	8.05	4.20	2.45	1.80	1.23	0.81	0.66
	W	297.2	200.7	141.2	85.5	48.4	28.4	20.85	14.2	9.36	7.67
10.20	A	25.2	17.2	11.96	7.64	3.94	2.35	1.75	1.20	0.80	0.65
	W	279.7	190.8	132.7	84.9	45.5	27.2	20.27	13.94	9.22	7.53
10.80	A	22.2	15.5	10.5	7.20	3.69	2.25	1.69	1.14	0.77	0.63
	W	257.8	180.3	122.2	83.7	42.9	26.1	19.69	13.24	8.75	7.29





UTY SERIES

Maintenance-Free Rechargeable VRLA Battery

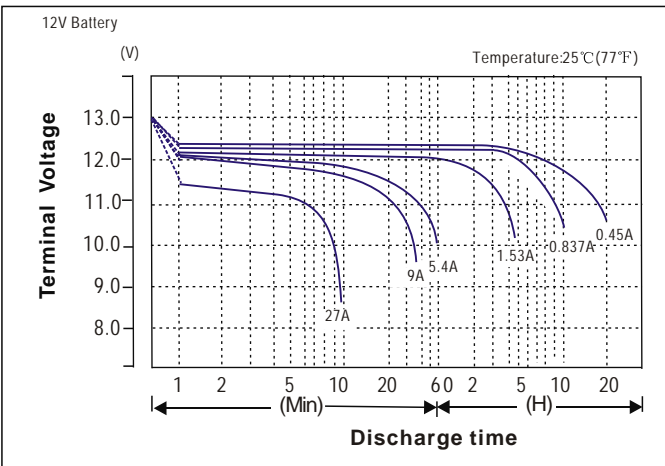
UTY 12V-9 AH



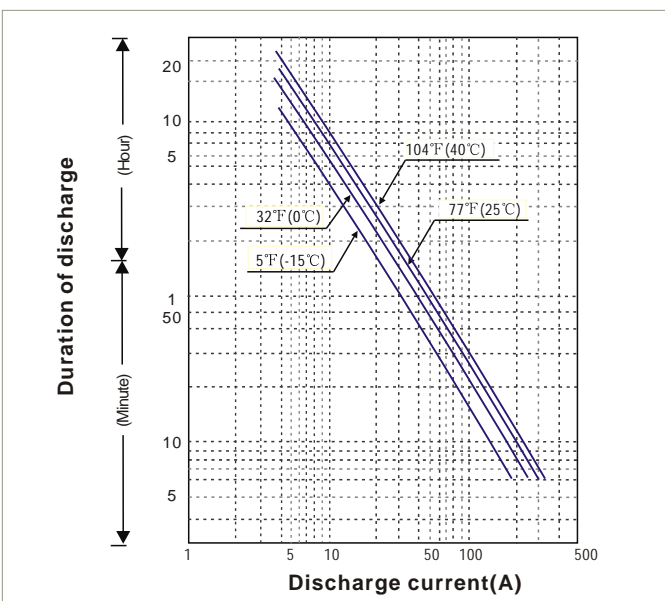
Specifications

Nominal Voltage		12V
Rated Capacity (20HR)		9AH
Dimensions ± 1mm	Total Height	100mm(3.94 inches)
	Height	95mm(3.74 inches)
	Length	151mm(5.94 inches)
	Width	65mm(2.56 inches)
Weight		Approx: 2.45kg(5.4 lbs)
Terminal		T1, T2

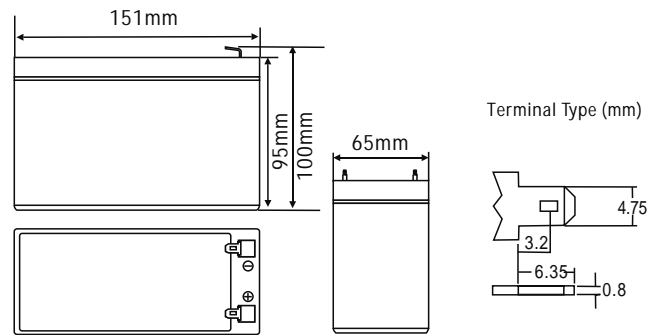
Discharge characteristics



Duration of discharges vs. Discharge current



Appearance



Characteristics

Capacity 77°F (25°C)	20 hour rate(0.45A)	9.00AH
	10 hour rate(0.83A)	8.30AH
	5 hour rate(1.53A)	7.65AH
	1hour rate(5.40A)	5.40AH
	15 min rate(15.76A)	3.94AH
Internal Resistance	Full charged Battery 77°F (25°C)	18mΩ
	104°F (40°C)	102%
	77°F (25°C)	100%
	32°F (0°C)	85%
Capacity affected by Temperature (20 hour rate)	5°F (-15°C)	65%
	Capacity after 3 month storage	91%
	Capacity after 6 month storage	82%
Self-Discharge 77°F (25°C)	Capacity after 12 month storage	64%
	Max. Discharge Current 77°F (25°C)	135A(5S)
Charge (constant voltage)	Cycle	Initial Charging Current 2.7 A or Smaller 14.50-14.90V/77°F (25°C)
	Float	13.50-13.80V/77°F (25°C)

Constant Power Discharge Watts Per Cell @ 77°F (25°C)

Time	5min	10min	15min	30min	1hr	2hr	3hr	5hr	8hr	10hr	20hr	
9.60	A	36.0	24.3	17.1	10.35	5.40	3.15	2.32	1.58	1.04	0.66	0.47
	W	382.1	258.0	181.5	109.9	62.3	36.5	26.81	12.04	12.04	7.67	5.40
10.20	A	32.4	22.1	15.4	9.83	5.07	3.02	2.25	1.55	1.02	0.65	0.45
	W	359.6	245.3	170.6	109.1	58.5	35.0	26.06	17.93	11.85	7.53	5.25
10.80	A	28.5	19.95	13.5	9.26	4.74	2.89	2.18	1.46	0.99	0.63	0.44
	W	331.5	231.8	157.1	107.6	56.8	33.6	25.31	17.03	11.25	7.29	5.10



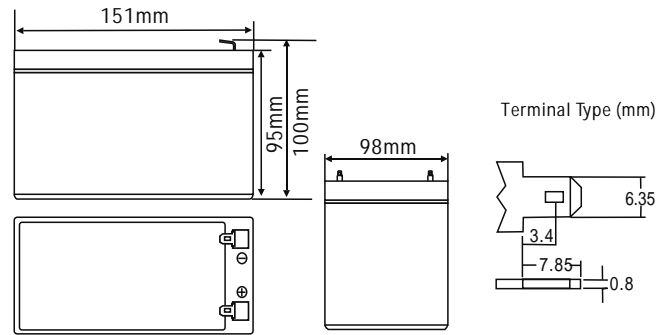
UTY 12V-12 AH



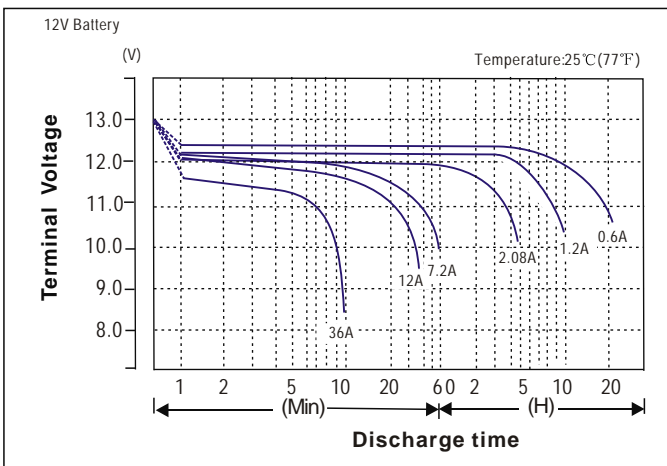
Specifications

Nominal Voltage		12V
Rated Capacity (20HR)		12AH
Dimensions ± 1mm	Total Height	100mm(3.94 inches)
	Height	95mm(3.74 inches)
	Length	151mm(5.94 inches)
	Width	98mm(3.86 inches)
Weight		Approx: 3.3kg(7.28 lbs)
Terminal		T2

Appearance



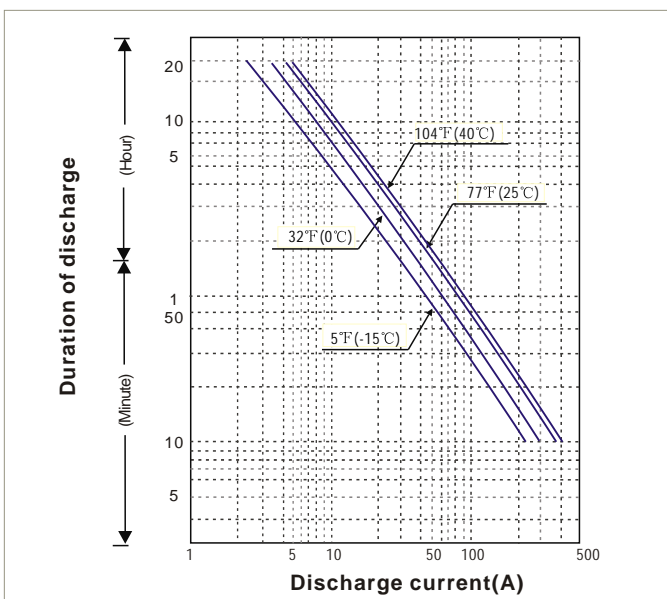
Discharge characteristics



Characteristics

Capacity 77°F (25°C)	20 hour rate(0.60A)	12.0AH
	10 hour rate(1.10A)	11.0AH
	5 hour rate(2.04A)	10.2AH
	1hour rate(7.20)	7.20AH
	15 min rate(21.0A)	5.25AH
Internal Resistance	Full charged Battery 77°F (25°C)	13mΩ
	104°F (40°C)	102%
	77°F (25°C)	100%
	32°F (0°C)	85%
Capacity affected by Temperature (20 hour rate)	5°F (-15°C)	65%
	Capacity after 3 month storage	91%
	Capacity after 6 month storage	82%
Self-Discharge 77°F (25°C)	Capacity after 12 month storage	64%
	Max. Discharge Current 77°F (25°C)	180A(5S)
Charge (constant voltage)	Cycle	Initial Charging Current 3.6A or Smaller 14.50-14.90V/77°F (25°C)
	Float	13.50-13.80V/77°F (25°C)

Duration of discharge vs. Discharge current



Constant Power Discharge Watts Per Cell @ 77°F (25°C)

Time	5min	10min	15min	30min	1hr	2hr	3hr	5hr	8hr	10hr	20hr	
9.60	A	43.2	128.3	21.0	13.8	7.20	4.20	3.09	2.11	1.39	1.13	0.62
	W	509.5	320	242	16.5	83.0	48.6	35.75	24.35	16.05	13.15	7.20
10.20	A	39.6	27.1	19.3	13.1	6.76	4.03	3.00	2.06	1.37	1.12	0.61
	W	479.5	303	227.5	145.5	78.0	46.7	34.75	23.9	15.8	12.9	7.00
10.80	A	34.6	24.2	16.8	12.4	6.32	3.85	2.90	1.95	1.31	1.07	0.59
	W	406	285	209.5	143.5	73.5	44.8	33.75	22.7	15.0	12.5	6.80

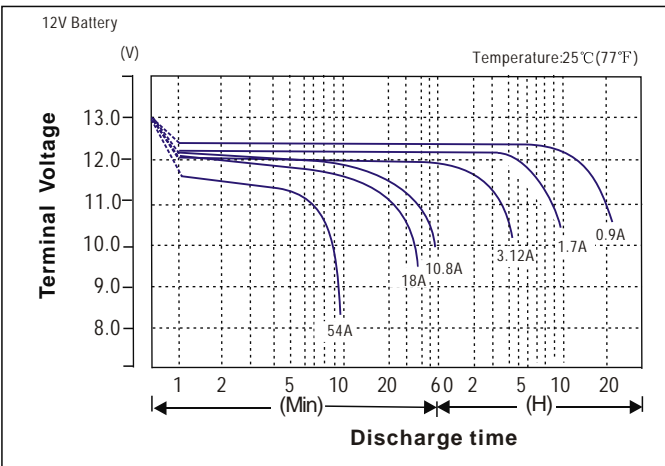
UTY 12V-18 AH



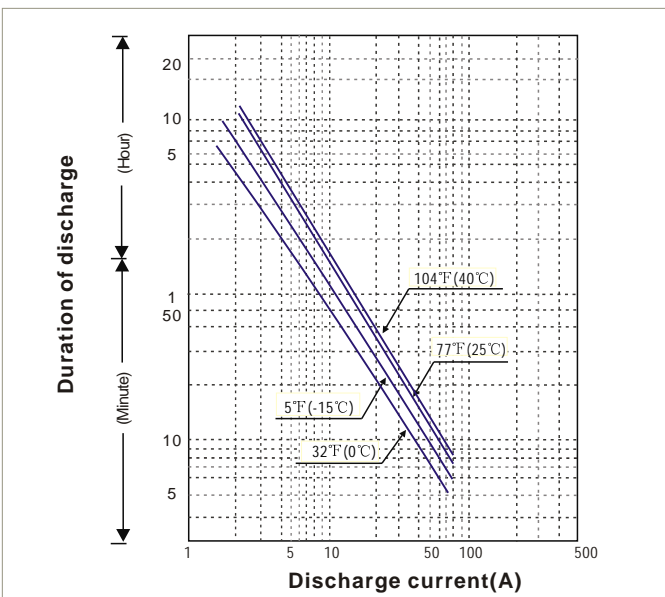
Specifications

Nominal Voltage		12V
Rated Capacity (20HR)		18AH
Dimensions ± 1mm	Total Height	167mm(6.57 inches)
	Height	167mm(6.57 inches)
	Length	181mm(7.31 inches)
	Width	77mm(3.03 inches)
Weight		Approx: 5kg(11.03lbs)
Terminal		T3、T13

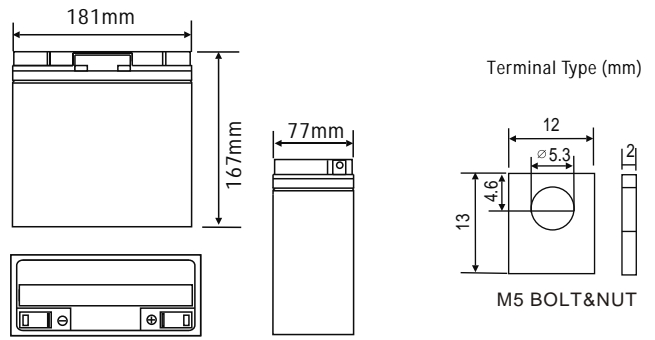
Discharge characteristics



Duration of discharge vs. Discharge current



Appearance



Characteristics

Capacity 77°F (25°C)	20 hour rate(0.9A)	18.0AH
	10 hour rate(1.66A)	16.6AH
	5 hour rate(3.06A)	15.3AH
	1hour rate(10.8A)	10.8AH
	15 min rate(31.5A)	7.88AH
Internal Resistance	Full charged Battery 77°F (25°C)	14mΩ
	104°F (40°C)	102%
	77°F (25°C)	100%
	32°F (0°C)	85%
Capacity affected by Temperature (20 hour rate)	77°F (25°C)	100%
	32°F (0°C)	85%
	5°F (-15°C)	65%
Self-Discharge 77°F (25°C)	Capacity after 3 month storage	91%
	Capacity after 6 month storage	82%
	Capacity after 12 month storage	64%
Max. Discharge Current 77°F (25°C)	270A(5S)	
Charge (constant voltage)	Cycle	Initial Charging Current 5.4 A or Smaller 14.50-14.90V/77°F (25°C)
	Float	13.50-13.80V/77°F (25°C)

Constant Power Discharge Watts Per Cell @ 77°F (25°C)

Time	5min	10min	15min	30min	1hr	2hr	3hr	5hr	8hr	10hr	20hr	
9.60	A	64.8	42.5	31.5	20.7	10.8	6.30	4.64	3.16	2.08	1.70	0.93
	W	673	456	338	223	117	69.2	51.6	35.9	23.9	19.7	10.8
10.20	A	59.4	40.6	28.9	19.7	10.1	6.04	4.50	3.10	2.05	1.67	0.91
	W	638	454	324	221	115	69.7	52.1	36.1	24.0	19.6	10.6
10.80	A	52.0	36.3	25.2	18.5	9.48	5.77	4.35	2.93	1.97	1.61	0.88
	W	583	419	290	215	110	67.6	51.3	34.6	23.4	19.2	10.5

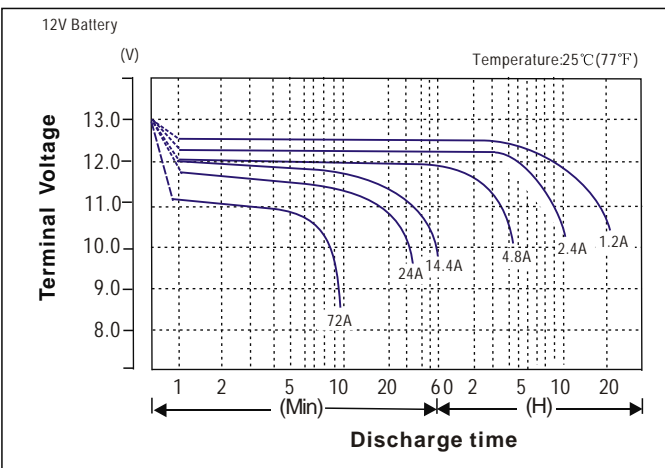
UTY 12V-24 AH



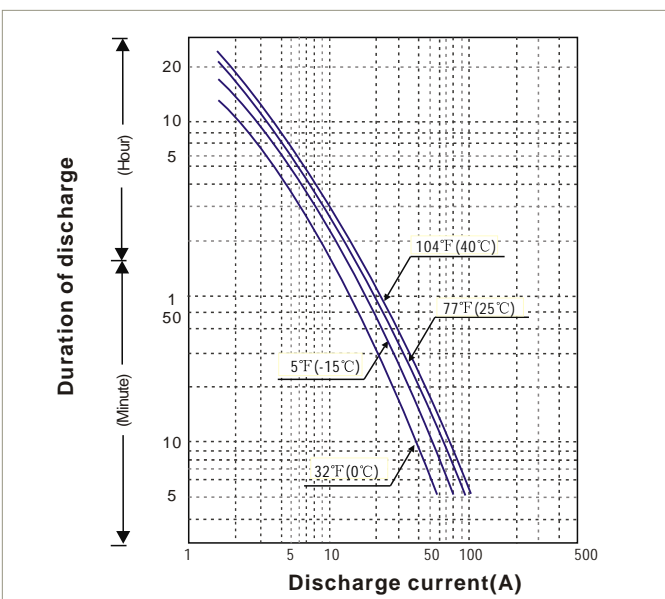
Specifications

Nominal Voltage		12V
Rated Capacity (20HR)		24AH
Dimensions ± 1mm	Total Height	125mm(4.92 inches)
	Height	125mm(4.92 inches)
	Length	165mm(6.50 inches)
	Width	175mm(6.89 inches)
Weight		Approx: 7.8kg(17.21 lbs)
Terminal		Silver Copper M5

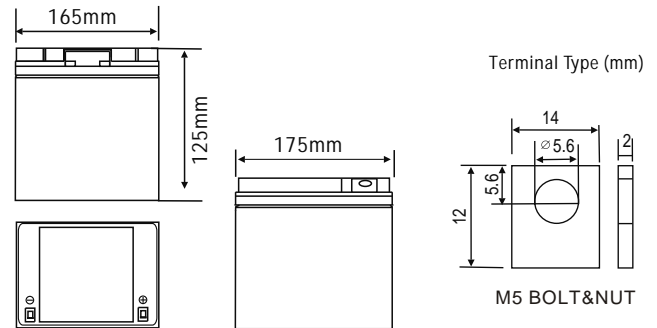
Discharge characteristics



Duration of discharge vs. Discharge current



Appearance



Characteristics

Capacity 77°F (25°C)	20 hour rate(1.20A)	24.0AH
	10 hour rate(2.20A)	22.0AH
	5 hour rate(4.0A)	20.0AH
	1hour rate(14.4A)	14.4 AH
	15 min rate(42.0A)	10.5AH
Internal Resistance	Full charged Battery 77°F (25°C)	12mΩ
	104°F (40°C)	102%
	77°F (25°C)	100%
	32°F (0°C)	85%
Capacity affected by Temperature (20 hour rate)	5°F (-15°C)	65%
	Capacity after 3 month storage	91%
	Capacity after 6 month storage	82%
Self-Discharge 77°F (25°C)	Capacity after 12 month storage	64%
	Max. Discharge Current 77°F (25°C)	360A(5S)
Charge (constant voltage)	Cycle	Initial Charging Current 7.2 A or Smaller 14.50-14.90V/77°F (25°C)
	Float	13.50-13.80V/77°F (25°C)

Constant Power Discharge Watts Per Cell @ 77°F (25°C)

Time	5min	10min	15min	30min	1hr	2hr	3hr	5hr	8hr	10hr	20hr
9.60	A	86.4	56.6	42	27.6	14.4	8.4	6.18	4.21	2.78	1.24
	W	897	608	450	297	156	92.2	68.8	47.9	31.9	26.2
10.20	A	79.2	54.2	38.6	26.2	13.5	8.06	6.0	4.13	2.73	1.21
	W	851	606	432	294	153	92.9	69.5	48.1	31.9	26.2
10.80	A	69.3	48.4	33.6	24.7	12.6	7.7	5.8	3.9	2.63	1.17
	W	777	558	387	286	147	90.2	68.4	46.1	31.2	25.6

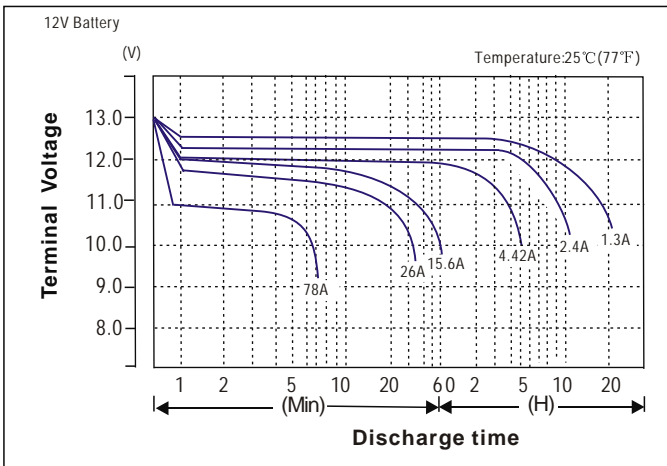
UTY 12V-26 AH



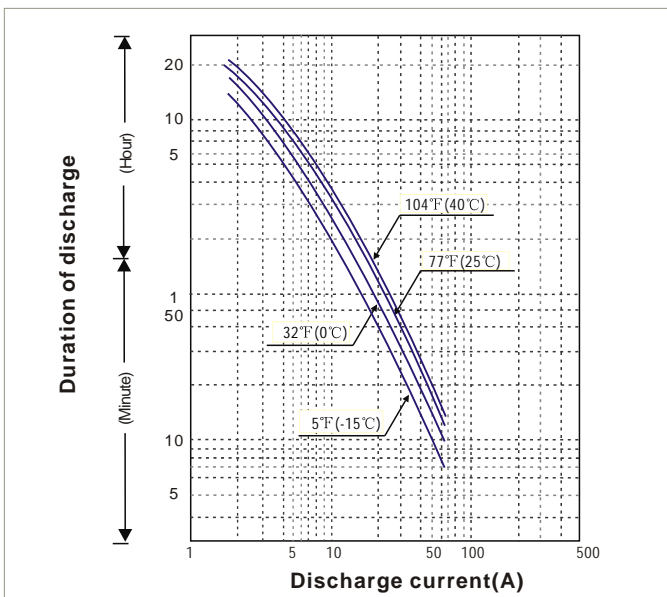
Specifications

Nominal Voltage		12V
Rated Capacity (20HR)		26AH
Dimensions ± 1mm	Total Height	175mm(6.89 inches)
	Height	175mm(6.89 inches)
	Length	165mm(6.50 inches)
	Width	125mm(4.92 inches)
Weight		Approx: 7.8kg(17.21 lbs)
Terminal		Silver Copper M5

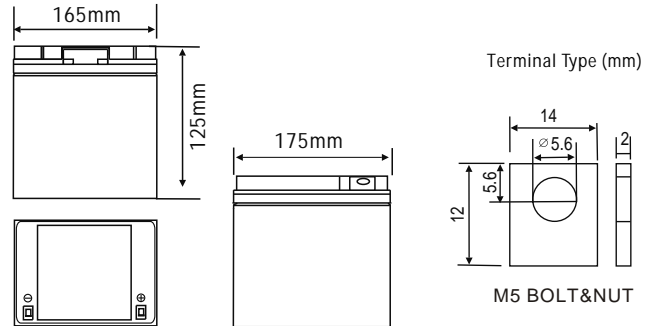
Discharge characteristics



Duration of discharge vs. Discharge current



Appearance



Characteristics

Capacity 77°F (25°C)	20 hour rate(1.20A)	26.0AH
	10 hour rate(2.40A)	24.0AH
	5 hour rate(4.09A)	20.45AH
	1hour rate(15A)	15 AH
	15 min rate(44.5A)	11AH
Internal Resistance	Full charged Battery 77°F (25°C)	13mΩ
	104°F (40°C)	102%
	77°F (25°C)	100%
Capacity affected by Temperature (20 hour rate)	32°F (0°C)	85%
	5°F (-15°C)	65%
	Self-Discharge 77°F (25°C)	Capacity after 3 month storage
	Capacity after 6 month storage	82%
	Capacity after 12 month storage	64%
Max. Discharge Current 77°F (25°C)	390A(5S)	
Charge (constant voltage)	Cycle	Initial Charging Current 7.80 A or Smaller 14.50-14.90V/77°F (25°C)
	Float	13.50-13.80V/77°F (25°C)

Constant Power Discharge Watts Per Cell @ 77°F (25°C)

Time	5min	10min	15min	30min	1hr	2hr	3hr	5hr	8hr	10hr	20hr	
9.60	A	104	70.2	49.4	29.9	15.6	9.10	6.68	4.69	2.99	2.70	1.33
	W	1092	737	518	313.9	163	95.5	72.2	60.5	32.9	27.0	14.69
10.20	A	93.6	63.7	44.5	28.3	14.6	8.73	6.50	4.46	2.93	2.65	1.30
	W	1038	707	494	314	162	96.9	72.1	58.6	32.8	26.9	14.43
10.80	A	82.3	57.6	39.0	26.7	13.6	8.34	6.26	4.25	2.63	2.55	1.24
	W	926	668	452	310	157	95.9	70.1	58.3	32.2	26.4	14.29



-UTY SERIES-

Maintenance-Free Rechargeable VRLA Battery

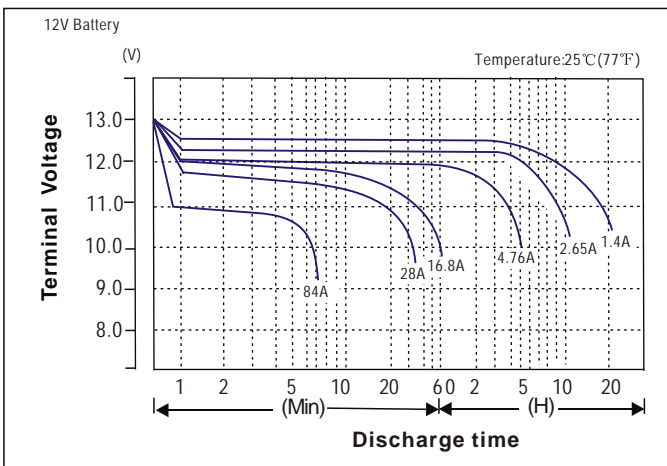
UTY 12V-28 AH



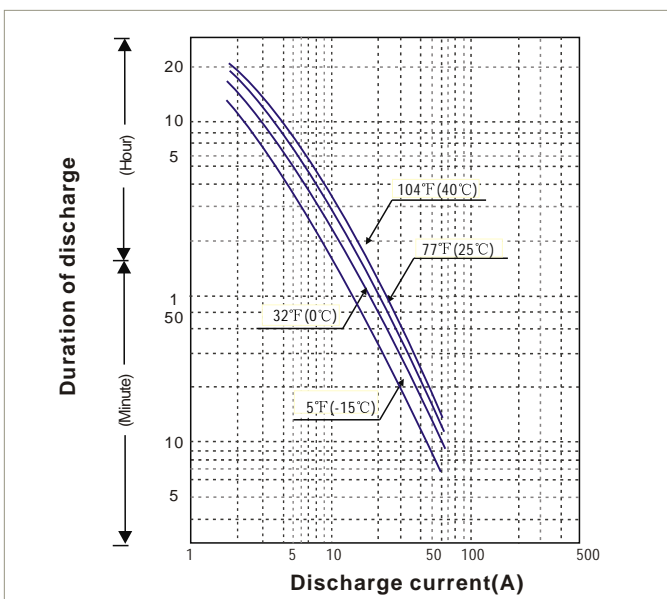
Specifications

Nominal Voltage		12V
Rated Capacity (20HR)		28AH
Dimensions ± 1mm	Total Height	175mm(6.89 inches)
	Height	175mm(6.89 inches)
	Length	165mm(6.50 inches)
	Width	125mm(4.92 inches)
Weight		Approx: 8.8kg(19.41 lbs)
Terminal		Silver Copper M5

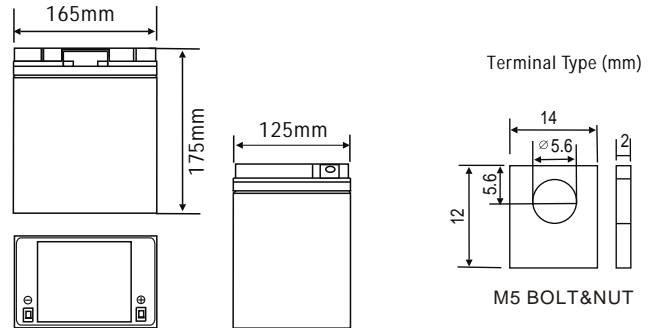
Discharge characteristics



Duration of discharge vs. Discharge current



Appearance



Characteristics

Capacity 77°F (25°C)	20 hour rate(1.20A)	28.0AH
	10 hour rate(2.65A)	26.5AH
	5 hour rate(4.90A)	24.5AH
	1hour rate(18.5A)	18.5 AH
	15 min rate(48.0A)	12AH
Internal Resistance	Full charged Battery 77°F (25°C)	11m Ω
	104°F (40°C)	102%
	77°F (25°C)	100%
	32°F (0°C)	85%
Capacity affected by Temperature (20 hour rate)	5°F (-15°C)	65%
	Capacity after 3 month storage	91%
	Capacity after 6 month storage	82%
Self-Discharge 77°F (25°C)	Capacity after 12 month storage	64%
	Max. Discharge Current 77°F (25°C)	420A(5S)
Charge (constant voltage)	Cycle	Initial Charging Current 8.4 A or Smaller 14.50-14.90V/77°F (25°C)
	Float	13.50-13.80V/77°F (25°C)

Constant Power Discharge Watts Per Cell @ 77°F (25°C)

F.V/ time	5min	10min	15min	30min	1hr	2hr	3hr	5hr	8hr	10hr	20hr	
9.60	A	100.8	66.1	49	32.3	16.8	9.8	7.21	4.91	3.24	2.65	1.45
	W	1189	746.7	564.7	341.8	193.7	113.4	83.42	56.82	37.45	30.68	16.8
10.20	A	92.4	63.2	45	30.6	15.8	9.4	7.0	4.82	3.19	2.60	1.41
	W	1118.7	707	530.8	339.5	182	108.9	81.08	55.77	36.87	30.1	16.33
10.80	A	80.7	56.5	39.2	28.8	14.7	9.0	6.77	4.55	3.07	2.51	1.37
	W	947.3	665	488.8	334.8	171.5	104.5	78.75	52.97	35.0	29.17	15.87





-UTY SERIES-

Maintenance-Free Rechargeable VRLA Battery

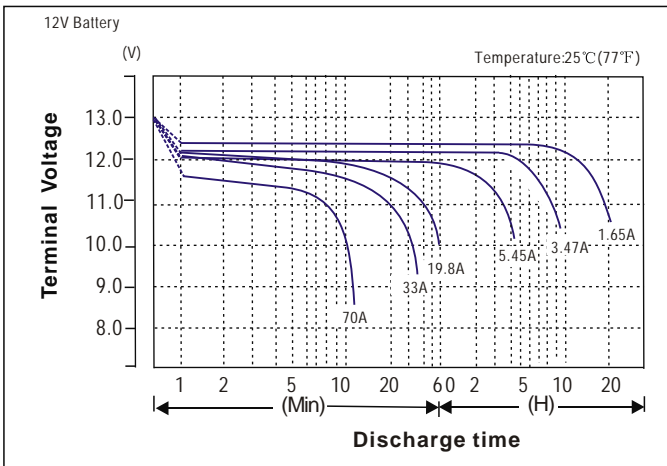
UTY 12V-33 AH



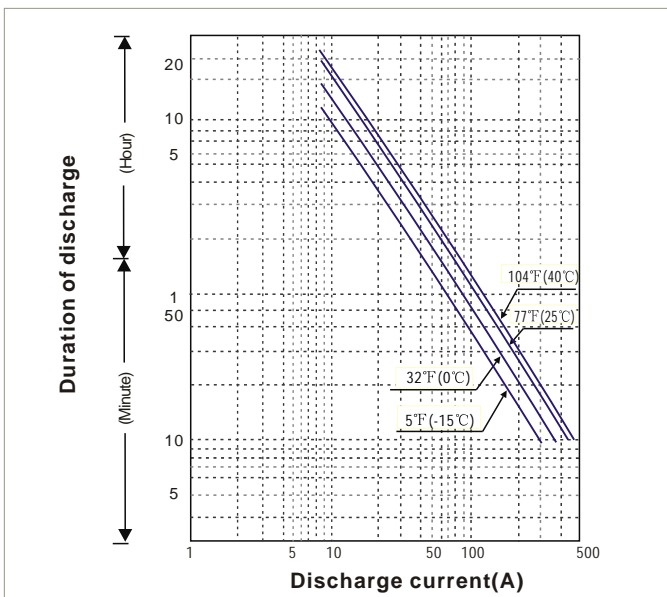
Specifications

Nominal Voltage		12V
Rated Capacity (10HR)		33AH
Dimensions ± 1mm	Total Height	180mm(7.09 inches)
	Height	159mm(6.26 inches)
	Length	195mm(7.68 inches)
	Width	130mm(5.12 inches)
Weight		Approx: 9.4kg(20.71 lbs)
Terminal		T9、T16

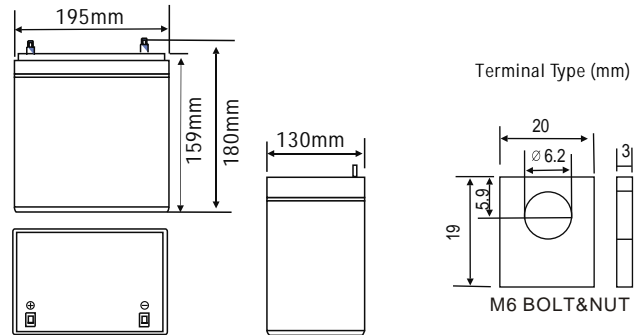
Discharge characteristics



Duration of discharge vs. Discharge current



Appearance



Characteristics

Capacity 77°F (25°C)	10 hour rate(3.3A)	33.0AH
	5 hour rate(5.4A)	27.0AH
	1hour rate(19.8A)	19.8AH
	15 min rate(56A)	14.0AH
Internal Resistance	Full charged Battery 77°F (25°C)	10mΩ
	104°F (40°C)	102%
	77°F (25°C)	100%
	32°F (0°C)	85%
Capacity affected by Temperature (10 hour rate)	77°F (25°C)	100%
	32°F (0°C)	85%
	5°F (-15°C)	65%
Self-Discharge 77°F (25°C)	Capacity after 3 month storage	91%
	Capacity after 6 month storage	82%
	Capacity after 12 month storage	64%
Max. Discharge Current 77°F (25°C)	330A(5S)	
Charge (constant voltage)	Cycle	Initial Charging Current 9.9 A or Smaller 14.50-14.90V/77°F (25°C)
	Float	13.50-13.80V/77°F (25°C)

Constant Power Discharge Watts Per Cell @ 77°F (25°C)

Time	5min	10min	15min	30min	1hr	2hr	3hr	5hr	8hr	10hr	20hr	
9.60	A	128	84	68	45.6	24	14	10.3	6.6	4.68	4.2	2.27
	W	1322	901	730	490	259	154	114	75	54	49	26.4
10.20	A	124	76	64	43.6	22.6	13.4	10	6.5	4.56	4.12	2.2
	W	1325	850	717	489	255	154	116	76	53	48	25.8
10.80	A	116	64	52	37.6	21.1	12.7	9.5	6.2	4.4	4.0	2.16
	W	1298	740	600	436	246	149	112	74	52	48	25.7



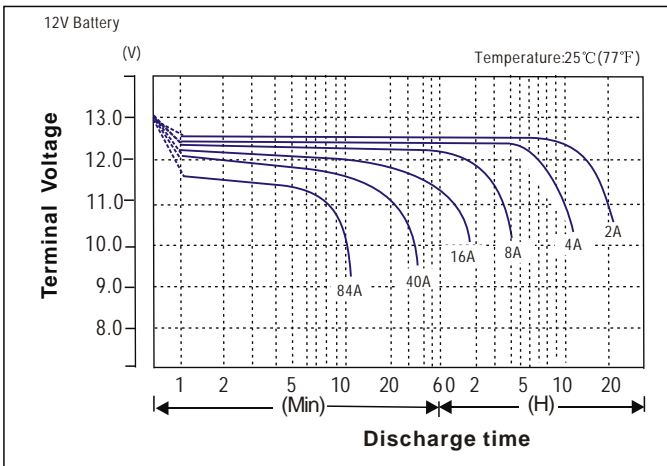
UTY 12V-40 AH



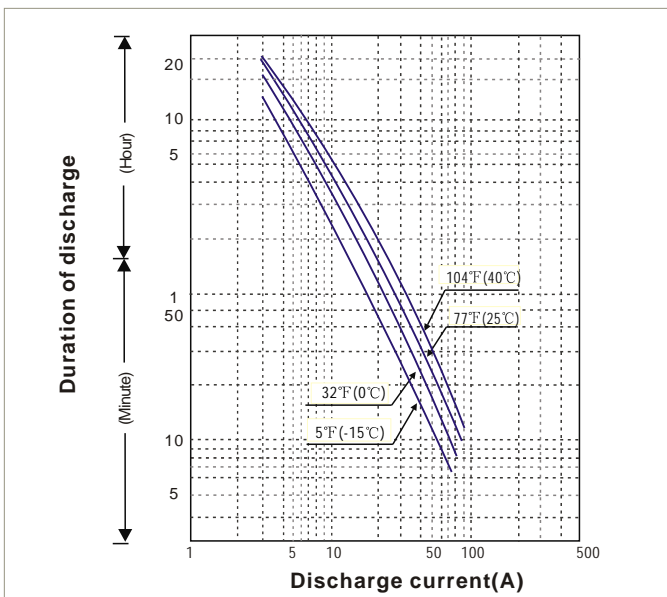
Specifications

Nominal Voltage		12V
Rated Capacity (10HR)		40AH
Dimensions ± 1mm	Total Height	170mm(6.69 inches)
	Height	170mm(6.69 inches)
	Length	197mm(7.74 inches)
	Width	165mm(6.50 inches)
Weight		Approx: 12.3kg(27.12 lbs)
Terminal		T9

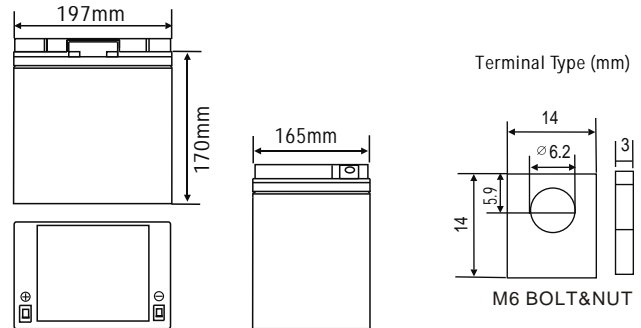
Discharge characteristics



Duration of discharge vs. Discharge current



Appearance



Characteristics

Capacity 77°F (25°C)	10 hour rate(4.0A)	40.0AH
	5 hour rate(6.6A)	33.0AH
	1hour rate(24A)	24.0AH
	15 min rate(68A)	17.0AH
Internal Resistance	Full charged Battery 77°F (25°C)	9.5m Ω
	104°F (40°C)	102%
	77°F (25°C)	100%
	32°F (0°C)	85%
Capacity affected by Temperature (10 hour rate)	5°F (-15°C)	65%
	Capacity after 3 month storage	91%
	Capacity after 6 month storage	82%
Self-Discharge 77°F (25°C)	Capacity after 12 month storage	64%
	Max. Discharge Current 77°F (25°C)	400A(5S)
Charge (constant voltage)	Cycle	Initial Charging Current 12 A or Smaller 14.50-14.90V/77°F (25°C)
	Float	13.50-13.80V/77°F (25°C)

Constant Power Discharge Watts Per Cell @ 77°F (25°C)

Time	5min	10min	15min	30min	1hr	2hr	3hr	5hr	8hr	10hr	20hr	
9.60	A	106	69.6	56.1	37.6	19.8	11.6	8.48	5.45	3.86	3.47	1.87
	W	1091	744	602	404	214	127	94.4	61.9	44.2	40.0	21.8
10.20	A	103	62.8	52.9	36.0	18.6	11.0	8.25	5.35	3.76	3.40	1.82
	W	1087	702	592	404	211	127	95.5	62.3	44.0	39.9	21.3
10.80	A	95.4	53.0	43.0	31.0	17.4	10.5	7.85	5.15	3.63	3.30	1.78
	W	1071	611	495	359	203	123	92.6	60.8	43.0	39.2	21.2



-UTY SERIES-

Maintenance-Free Rechargeable VRLA Battery

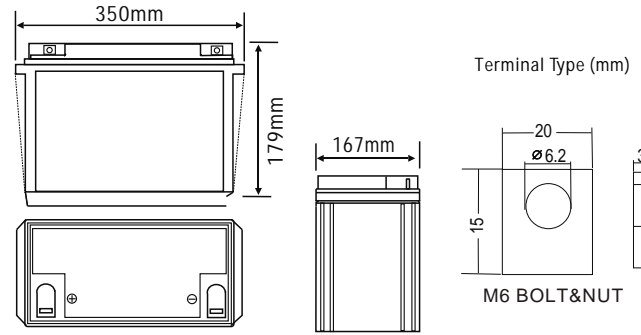
UTY 12V-65 AH



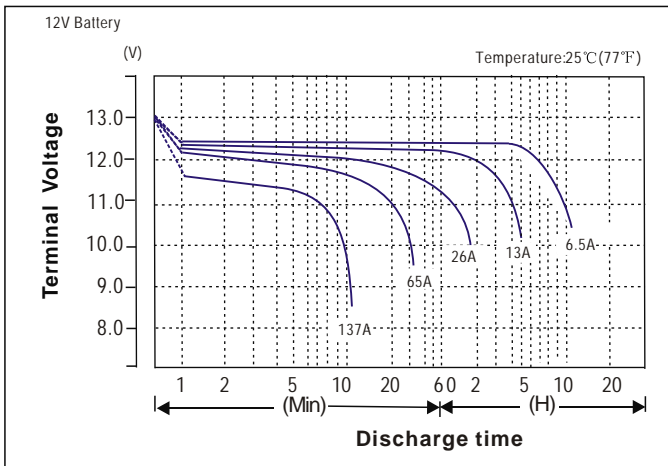
Specifications

Nominal Voltage		12V
Rated Capacity (10HR)		65AH
Dimensions ± 1mm	Total Height	179mm(7.05 inches)
	Height	179mm(7.05 inches)
	Length	350mm(13.78 inches)
	Width	167mm(6.57 inches)
Weight		Approx: 20.3kg(44.75 lbs)
Terminal		T5 ,T9

Appearance



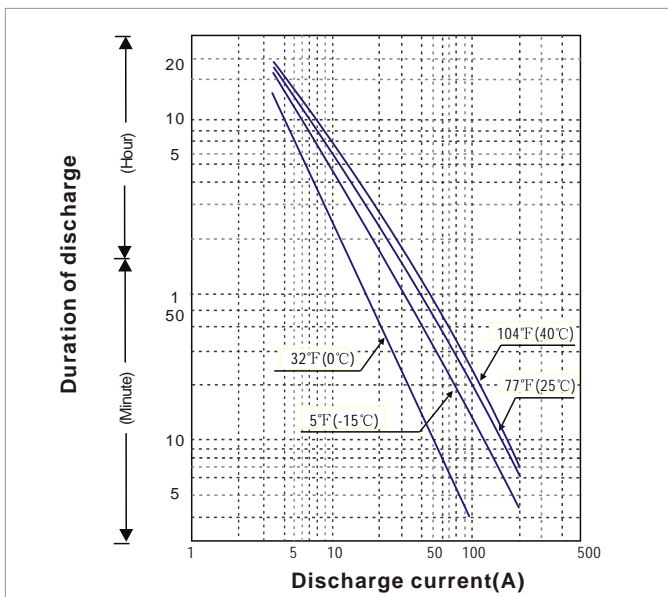
Discharge characteristics



Characteristics

Capacity 77°F (25°C)	10 hour rate(6.5A)	65.0AH
	5 hour rate(10.6A)	53.0AH
	1hour rate(39A)	39.0AH
	15 min rate(110A)	27.5AH
Internal Resistance	Full charged Battery 77°F (25°C)	6m Ω
	104°F (40°C)	102%
	77°F (25°C)	100%
	32°F (0°C)	85%
Capacity affected by Temperature (10 hour rate)	77°F (25°C)	100%
	32°F (0°C)	85%
	5°F (-15°C)	65%
Self-Discharge 77°F (25°C)	Capacity after 3 month storage	91%
	Capacity after 6 month storage	82%
	Capacity after 12 month storage	64%
Max. Discharge Current 77°F (25°C)	650A(5S)	
Charge (constant voltage)	Cycle	Initial Charging Current 19.5 A or Smaller 14.50-14.90V/77°F (25°C)
	Float	13.50-13.80V/77°F (25°C)

Duration of discharge vs. Discharge current



Constant Power Discharge Watts Per Cell @ 77°F (25°C)

Time	5min	10min	15min	30min	1hr	2hr	3hr	5hr	8hr	10hr	20hr	
9.60	A	208	137	111	74.1	39	22.8	16.7	10.7	7.61	6.83	3.69
	W	2149	1465	1185	797	421	250	186	122	87	79	42.9
10.20	A	202	124	104	70.9	36.7	21.7	16.3	10.5	7.41	6.7	3.58
	W	2129	1382	1165	795	415	250	188	123	87	79	41.9
10.80	A	160	104	85	61.1	34.3	20.7	15.5	10.1	7.15	6.5	3.51
	W	1790	1203	975	708	399	242	182	120	85	77	41.8



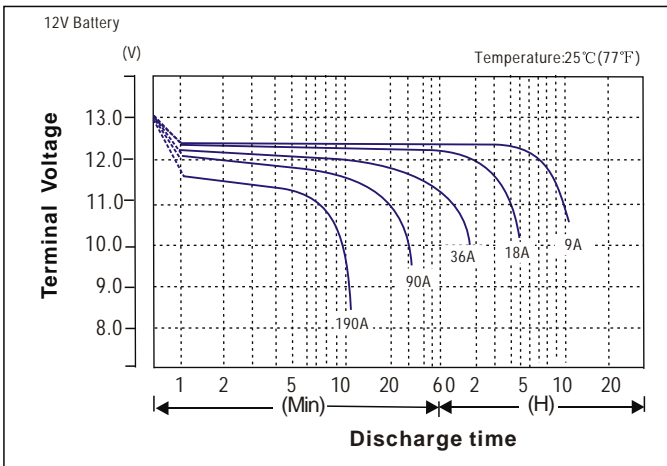
UTY 12V-90 AH



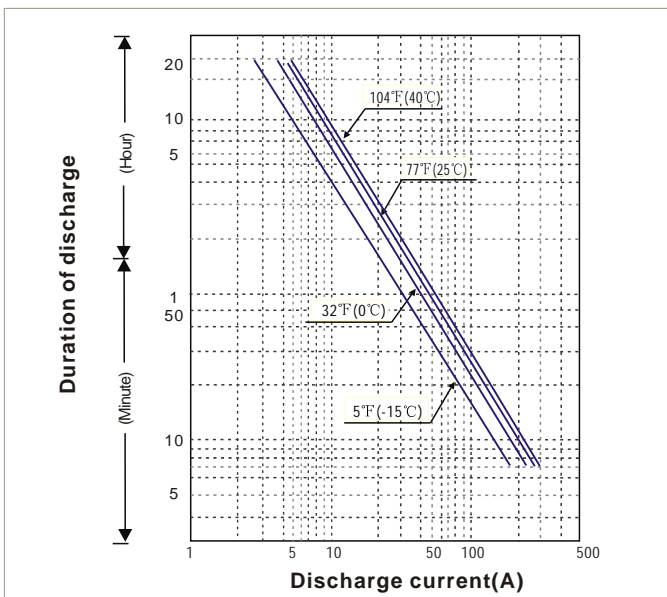
Specifications

Nominal Voltage		12V
Rated Capacity (10HR)		90AH
Dimensions ± 1mm	Total Height	211mm(8.31 inches)
	Height	208mm(8.19 inches)
	Length	307mm(12.09 inches)
	Width	169mm(6.65 inches)
Weight		Approx: 27.5kg(66.6 lbs)
Terminal		T5 , T9

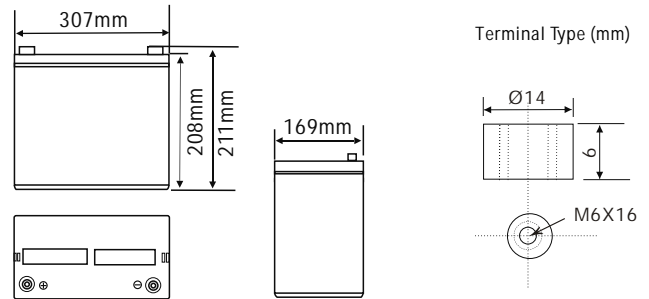
Discharge characteristics



Duration of discharge vs. Discharge current



Appearance



Characteristics

Capacity 77°F (25°C)	10 hour rate(9.0A)	90.0AH
	5 hour rate(14.8A)	74.0AH
	1hour rate(54A)	54.0AH
	15 min rate(150A)	37.5AH
Internal Resistance	Full charged Battery 77°F (25°C)	5.5m Ω
	104°F (40°C)	102%
	77°F (25°C)	100%
	32°F (0°C)	85%
Capacity affected by Temperature (10 hour rate)	5°F (-15°C)	65%
	Capacity after 3 month storage	91%
	Capacity after 6 month storage	82%
	Capacity after 12 month storage	64%
Self-Discharge 77°F (25°C)		
Max. Discharge Current 77°F (25°C)	800A(5S)	
Charge (constant voltage)	Cycle	Initial Charging Current 27 A or Smaller 14.50-14.90V/77°F (25°C)
	Float	13.50-13.80V/77°F (25°C)

Constant Power Discharge Watts Per Cell @ 77°F (25°C)

Time	5min	10min	15min	30min	1hr	2hr	3hr	5hr	8hr	10hr	20hr	
9.60	A	288	190	153	102.6	54	31.5	23.1	14.9	10.53	9.45	5.1
	W	2975	2028	1641	1103	583	346	257	169	121	109	59.3
10.20	A	279	171	144	98.1	50.8	30.1	22.5	14.6	10.26	9.27	4.95
	W	2948	1913	1613	1101	574	346	261	170	120	109	58.1
10.80	A	221	144	117	84.6	47.5	28.6	21.4	14	9.9	9.0	4.86
	W	2479	1666	1350	980	553	335	253	166	117	107	57.9

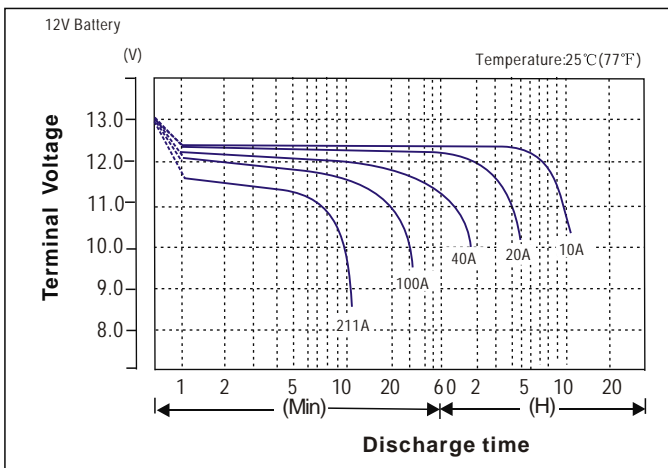
UTY 12V-100 AH



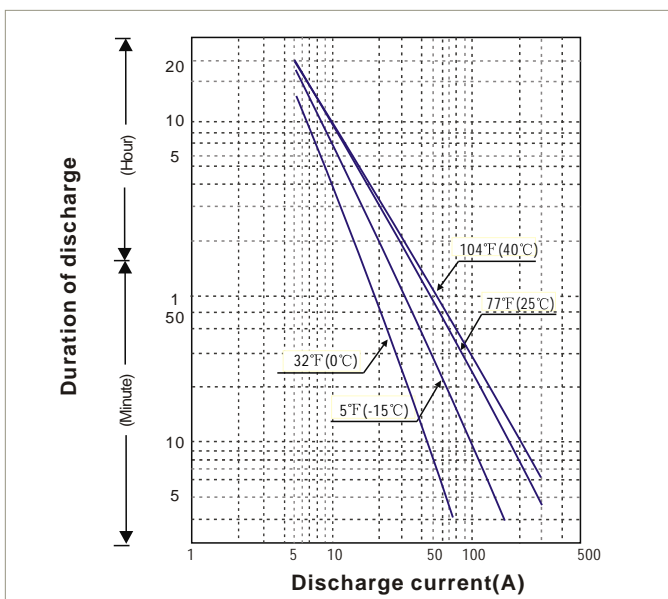
Specifications

Nominal Voltage		12V
Rated Capacity (10HR)		100AH
Dimensions ± 1mm	Total Height	220mm(8.66 inches)
	Height	214mm(8.43 inches)
	Length	330mm(12.99 inches)
	Width	171mm(6.73 inches)
Weight		Approx: 27.5kg(66.6 lbs)
Terminal		T5 , T9

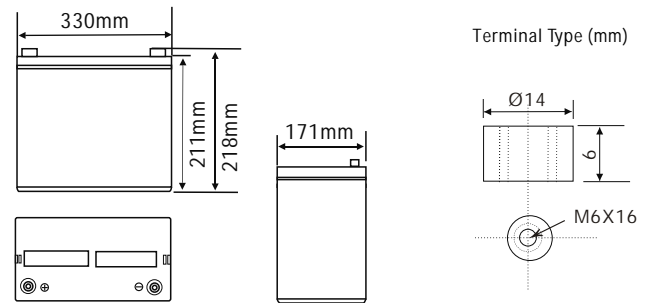
Discharge characteristics



Duration of discharge vs. Discharge current



Appearance



Characteristics

Capacity 77°F (25°C)	10 hour rate(10.0A)	100.0AH
	5 hour rate(16.4A)	82.0AH
	1hour rate(60A)	60.0AH
	15 min rate(170A)	42.5AH
Internal Resistance	Full charged Battery 77°F (25°C)	4.5m Ω
	104°F (40°C)	102%
	77°F (25°C)	100%
	32°F (0°C)	85%
Capacity affected by Temperature (10 hour rate)	5°F (-15°C)	65%
	Capacity after 3 month storage	91%
	Capacity after 6 month storage	82%
Self-Discharge 77°F (25°C)	Capacity after 12 month storage	64%
	Max. Discharge Current 77°F (25°C)	800A(5S)
Charge (constant voltage)	Cycle	Initial Charging Current 30 A or Smaller 14.50-14.90V/77°F (25°C)
	Float	13.50-13.80V/77°F (25°C)

Constant Power Discharge Watts Per Cell @ 77°F (25°C)

Time	5min	10min	15min	30min	1hr	2hr	3hr	5hr	8hr	10hr	20hr
9.60	A	320	211	170	114	60	35	25.7	16.5	11.7	10.5
	W	3305	2253	1824	1226	648	384	286	188	134	121
10.20	A	302	190	160	109	56.4	33.4	25	16.2	11.4	10.3
	W	3229	2126	1793	1224	638	385	290	189	133	121
10.80	A	245	161	130	94	52.8	31.8	23.8	15.6	11	10
	W	2753	1851	1500	1089	615	372	281	184	130	119

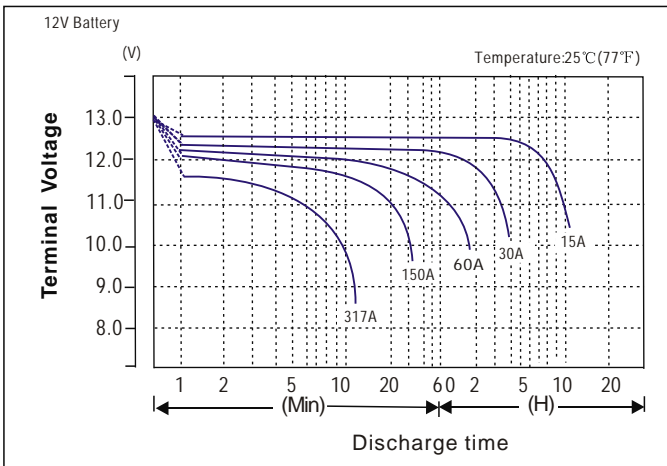
UTY 12V-150 AH



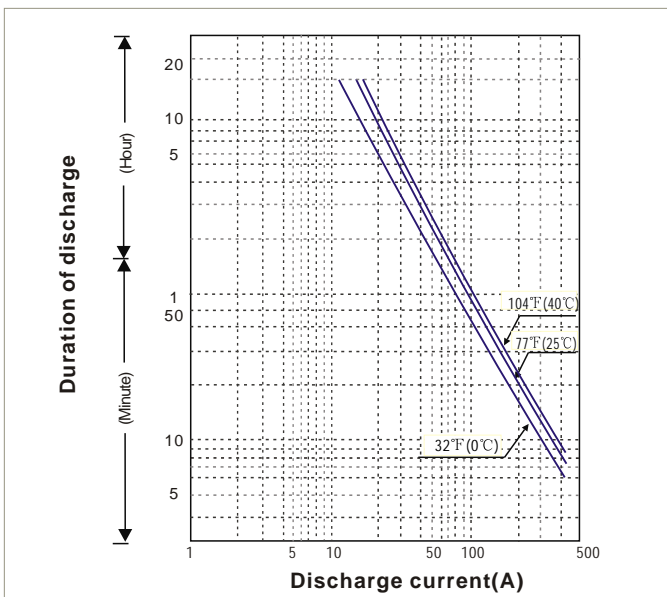
Specifications

Nominal Voltage		12V
Rated Capacity (10HR)		150AH
Dimensions ± 1mm	Total Height	240mm(9.45 inches)
	Height	240mm(9.45 inches)
	Length	485mm(19.1inches)
	Width	170mm(6.69 inches)
Weight		Approx: 44kg(97.02 lbs)
Terminal		T12、T19

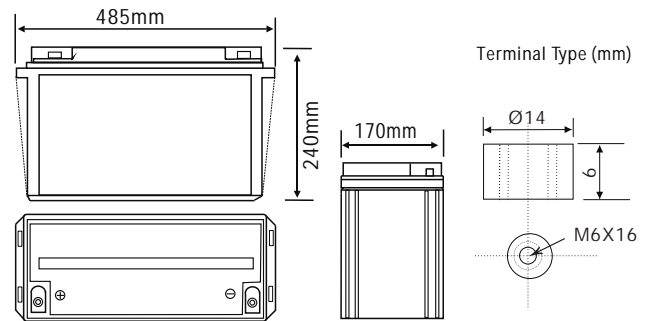
Discharge characteristics



Duration of discharge vs. Discharge current



Appearance



Characteristics

Capacity 77°F (25°C)	10 hour rate(15.0A)	150.0AH
	5 hour rate(24A)	120.0AH
	1hour rate(90A)	90.0AH
	15 min rate(250A)	62.5AH
Internal Resistance	Full charged Battery 77°F (25°C)	3.5m Ω
	104°F (40°C)	102%
	77°F (25°C)	100%
	32°F (0°C)	85%
Capacity affected by Temperature (10 hour rate)	5°F (-15°C)	65%
	Capacity after 3 month storage	91%
	Capacity after 6 month storage	82%
Self-Discharge 77°F (25°C)	Capacity after 12 month storage	64%
	Max. Discharge Current 77°F (25°C)	1200A(5S)
Charge (constant voltage)	Cycle	Initial Charging Current 45A or Smaller 14.50-14.90V/77°F (25°C)
	Float	13.50-13.80V/77°F (25°C)

Constant Power Discharge Watts Per Cell @ 77°F (25°C)

Time	5min	10min	15min	30min	1hr	2hr	3hr	5hr	8hr	10hr	20hr	
9.60	A	480	317	255	171	90	52.5	38.6	24.8	17.6	15.75	8.51
	W	4958	3380	2736	1839	972	576	429	281	201	182	98.9
10.20	A	465	286	240	163.5	84.6	50.1	37.5	24.3	17.1	15.5	8.25
	W	4969	3189	2686	1835	957	577	434	283	200	182	96.8
10.80	A	434	241	195	141	79.2	47.7	35.7	23.4	16.5	15.0	8.10
	W	4867	2776	2250	1634	922	559	421	277	196	178	96.5

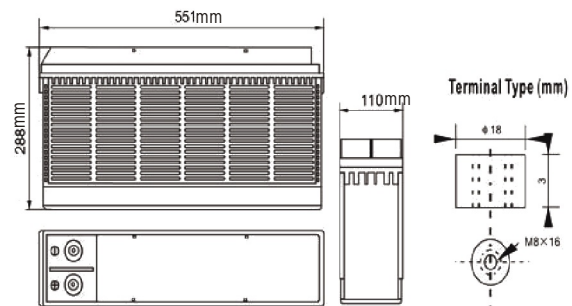
UTY 12V-155 AH



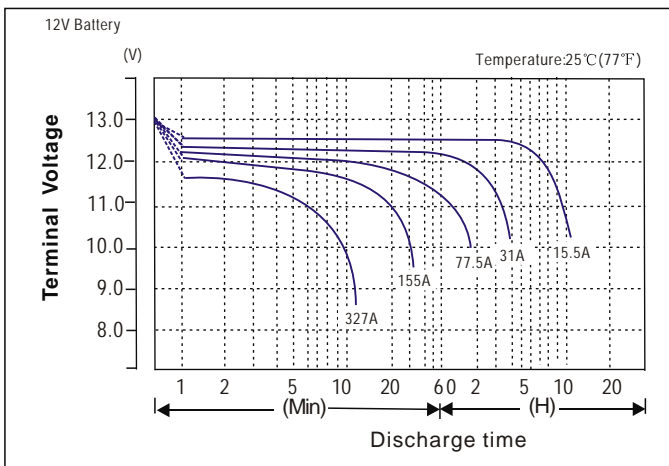
Specifications

Nominal Voltage		12V
Rated Capacity (10HR)		155AH
Dimensions ± 1mm	Total Height	317mm(12.48 inches)
	Height	317mm(12.48 inches)
	Length	547mm(21.5inches)
	Width	125mm(4.92 inches)
Weight		Approx: 48.5kg(106.9 lbs)
Terminal		T46

Appearance



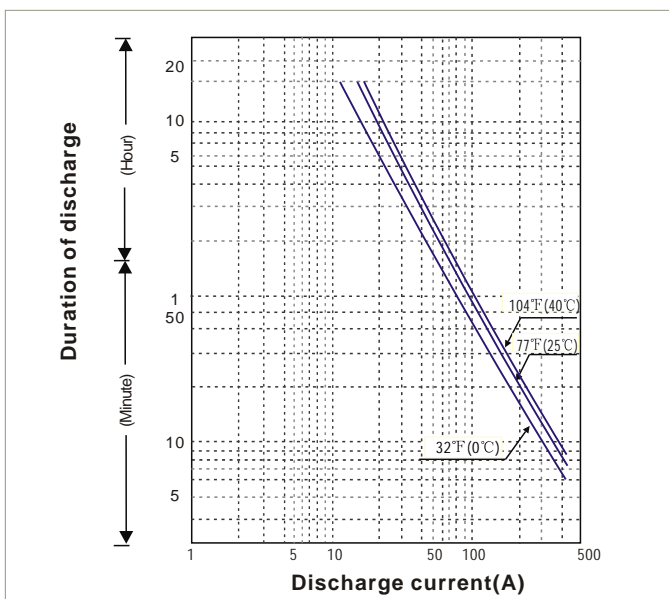
Discharge characteristics



Characteristics

Capacity 77°F (25°C)	10 hour rate(15.5A)	155.0AH
	5 hour rate(25A)	125.0AH
	1hour rate(93A)	93.0AH
	15 min rate(290A)	72.5AH
Internal Resistance	Full charged Battery 77°F (25°C)	3.5m Ω
	104°F (40°C)	102%
	77°F (25°C)	100%
	32°F (0°C)	85%
Capacity affected by Temperature (10 hour rate)	5°F (-15°C)	65%
	Capacity after 3 month storage	91%
	Capacity after 6 month storage	82%
Self-Discharge 77°F (25°C)	Capacity after 12 month storage	64%
	Max. Discharge Current 77°F (25°C)	1200A(5S)
Charge (constant voltage)	Cycle	Initial Charging Current 46.5A or Smaller 14.50-14.90V/77°F (25°C)
	Float	13.50-13.80V/77°F (25°C)

Duration of discharge vs. Discharge current



Constant Power Discharge Watts Per Cell @ 77°F (25°C)

Time	5min	10min	15min	30min	1hr	2hr	3hr	5hr	8hr	10hr	20hr	
9.60	A	543	358	395	177	93	54	39.8	25.6	18	16.3	8.79
	W	5696	3760	3092	1893	1077	628	461	296	209	188	101.8
10.20	A	511.5	325.5	161	172	87.4	51.8	38.8	25.1	17.6	15.9	8.57
	W	5729	3647	1804	1875	1012	599	449	291	204	184	99.3
10.80	A	465	265	248	158	82	49.3	36.9	24.2	17.1	15.1	8.37
	W	5580	3181	2979	1703	937	574	429	281	198	180	97.4

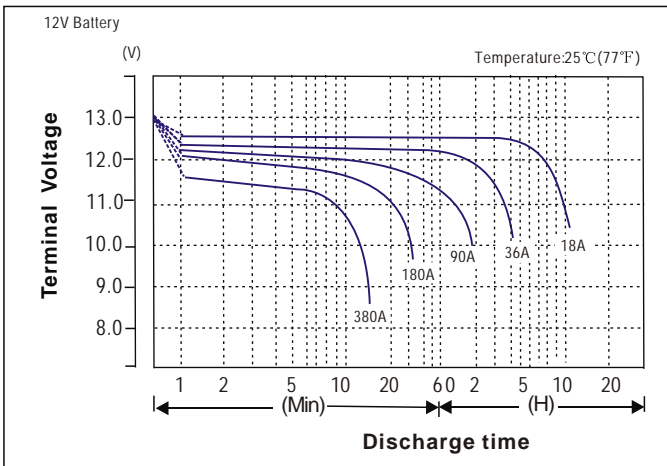
UTY 12V-180 AH



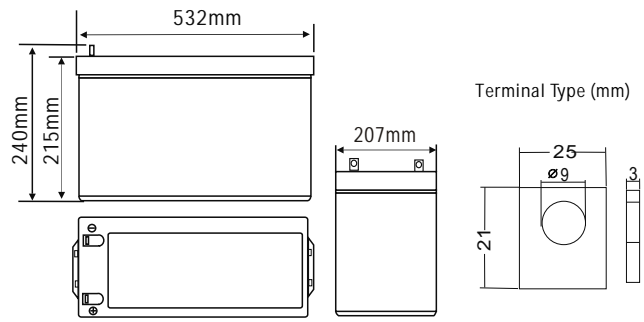
Specifications

Nominal Voltage		12V
Rated Capacity (10HR)		180AH
Dimensions ± 1mm	Total Height	240mm(9.44 inches)
	Height	215mm(8.46 inches)
	Length	532mm(20.93 inches)
	Width	207mm(8.14 inches)
Weight		Approx: 54kg(119.1lbs)
Terminal		T19

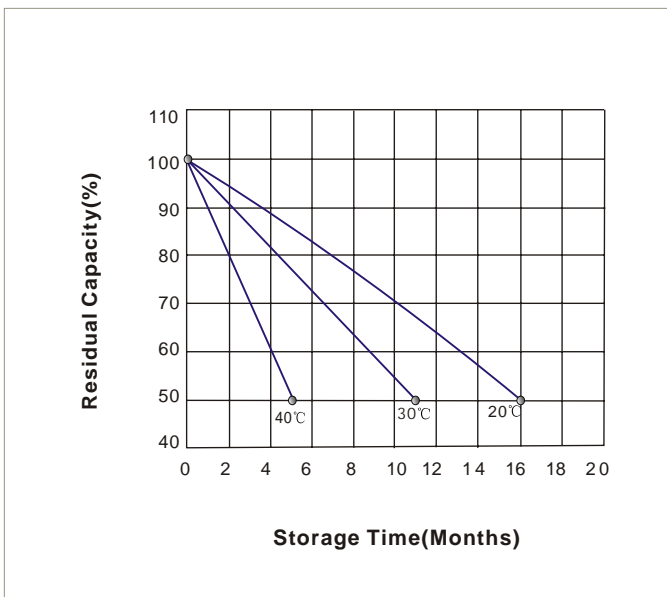
Discharge characteristics



Appearance



Self discharge characteristics



Characteristics

Capacity 77°F (25°C)	10 hour rate(18.0A)	180.0AH
	5 hour rate(28.8A)	144.0AH
	1hour rate(108A)	108.0AH
	15 min rate(300A)	75.0AH
Internal Resistance	Full charged Battery 77°F (25°C)	3.5m Ω
	104°F (40°C)	102%
	77°F (25°C)	100%
	32°F (0°C)	85%
Capacity affected by Temperature (10 hour rate)	5°F (-15°C)	65%
	Capacity after 3 month storage	91%
	Capacity after 6 month storage	82%
Self-Discharge 77°F (25°C)	Capacity after 12 month storage	64%
	Max. Discharge Current 77°F (25°C)	1400A(5S)
Charge (constant voltage)	Cycle	Initial Charging Current 54A or Smaller 14.50-14.90V/77°F (25°C)
	Float	13.50-13.80V/77°F (25°C)

Constant Power Discharge Watts Per Cell @ 77°F (25°C)

Time	5min	10min	15min	30min	1hr	2hr	3hr	5hr	8hr	10hr	20hr	
9.60	A	577	380	306	205	108	63	46	29.7	21.1	18.9	10.2
	W	5950	4056	3283	2206	1166	692	515	337.7	241.3	218.3	118.7
10.20	A	558	343	288	196	102	60	45	29.2	20.5	18.5	9.9
	W	5963	3827	3227	2203	1148	693	521	339.9	240.1	217.8	116.1
10.80	A	521	289	234	169	95	57	43	28.1	19.8	18.0	9.7
	W	5841	3332	2700	1960	1106	670	505	331.9	234.6	213.9	115.8



UTY SERIES

Maintenance-Free Rechargeable VRLA Battery

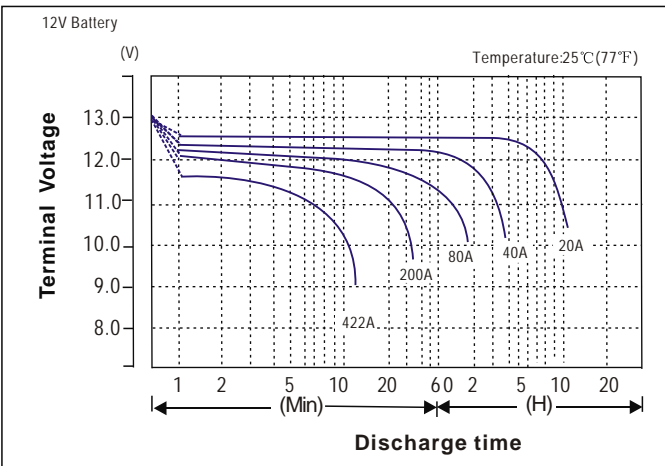
UTY 12V-200 AH



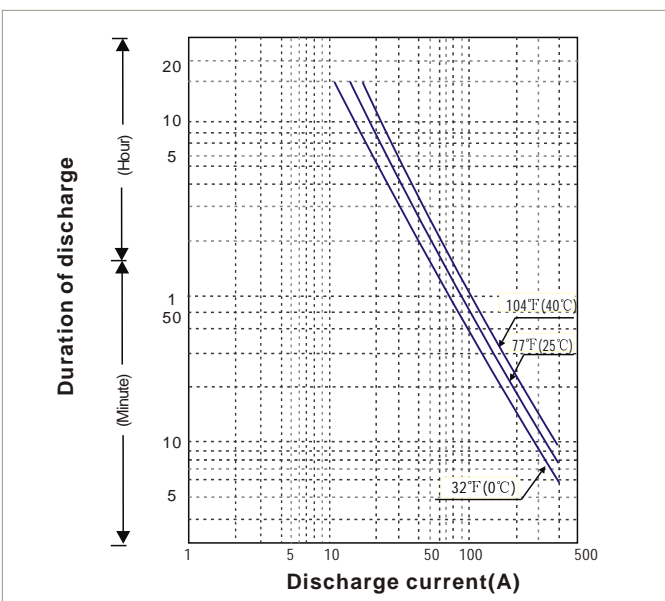
Specifications

Nominal Voltage		12V
Rated Capacity (10HR)		200AH
Dimensions ± 1mm	Total Height	243mm(9.56 inches)
	Height	218mm(8.58 inches)
	Length	522mm(20.54 inches)
	Width	238mm(9.37 inches)
Weight		Approx: 60kg(132.3 lbs)
Terminal		T19

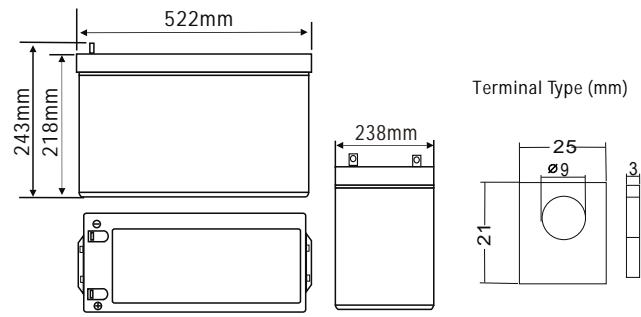
Discharge characteristics



Duration of discharge vs. Discharge current



Appearance



Characteristics

Capacity 77°F (25°C)	10 hour rate(20.0A)	200.0AH
	5 hour rate(32A)	160.0AH
	1hour rate(120A)	120.0AH
	15 min rate(340A)	85.0AH
Internal Resistance	Full charged Battery 77°F (25°C)	3m Ω
	104°F (40°C)	102%
	77°F (25°C)	100%
	32°F (0°C)	85%
Capacity affected by Temperature (10 hour rate)	5°F (-15°C)	65%
	Capacity after 3 month storage	91%
	Capacity after 6 month storage	82%
Self-Discharge 77°F (25°C)	Capacity after 12 month storage	64%
	Max. Discharge Current 77°F (25°C)	1600A(5S)
Charge (constant voltage)	Cycle	Initial Charging Current 60A or Smaller 14.50-14.90V/77°F (25°C)
	Float	13.50-13.80V/77°F (25°C)

Constant Power Discharge Watts Per Cell @ 77°F (25°C)

Time	5min	10min	15min	30min	1hr	2hr	3hr	5hr	8hr	10hr	20hr	
9.60	A	641	422	340	228	120	70	51.4	33	23.4	21	11.34
	W	6611	4507	3648	2451	1296	769	572	375	268	243	131.9
10.20	A	620	381	320	218	112.8	66.8	50	32.4	22.8	20.6	11.0
	W	6626	4252	3585	2447	1276	770	579	378	267	242	129
10.80	A	578	321	260	188	105.6	63.6	47.6	31.2	22	20	10.8
	W	6490	3702	3000	2178	1229	745	561	369	261	138	128.6



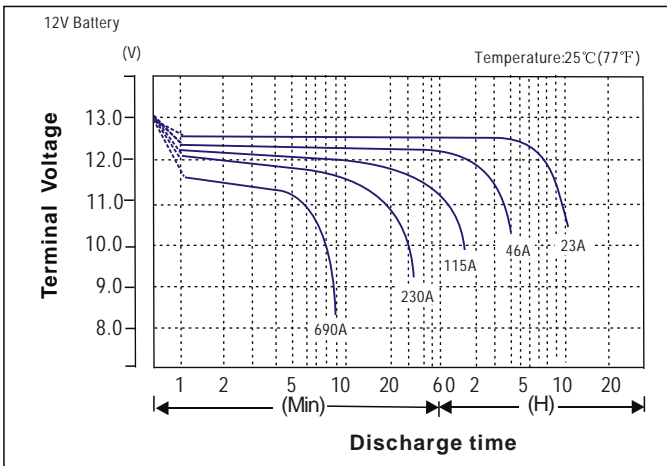
UTY 12V-230 AH



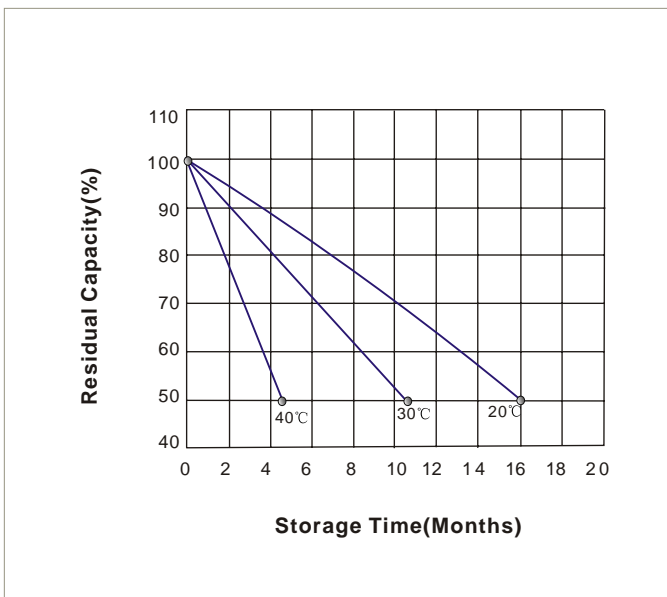
Specifications

Nominal Voltage		12V
Rated Capacity (10HR)		230AH
Dimensions ± 1mm	Total Height	245mm(9.65 inches)
	Height	220mm(8.66 inches)
	Length	520mm(20.50 inches)
	Width	269mm(10.59 inches)
Weight		Approx: 69.5kg(153.25 lbs)
Terminal		T11, T19

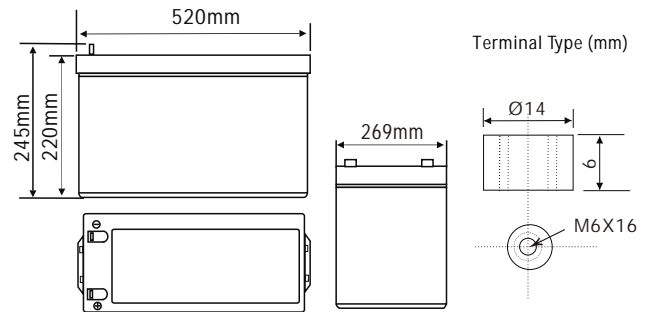
Discharge characteristics



Self discharge characteristics



Appearance



Characteristics

Capacity 77°F (25°C)	10 hour rate(23.0A)	230.0AH
	5 hour rate(37.0A)	185.0AH
	1hour rate(138A)	138.0AH
	15 min rate(400A)	100.0AH
Internal Resistance	Full charged Battery 77°F (25°C)	0.8m Ω
	104°F (40°C)	102%
	77°F (25°C)	100%
	32°F (0°C)	85%
Capacity affected by Temperature (10 hour rate)	5°F (-15°C)	65%
	Capacity after 3 month storage	91%
	Capacity after 6 month storage	82%
Self-Discharge 77°F (25°C)	Capacity after 12 month storage	64%
	Max. Discharge Current 77°F (25°C)	1800A(5S)
Charge (constant voltage)	Cycle	Initial Charging Current 69A or Smaller 14.50-14.90V/77°F (25°C)
	Float	13.50-13.80V/77°F (25°C)

Constant Power Discharge Watts Per Cell @ 77°F (25°C)

Time	5min	10min	15min	30min	1hr	2hr	3hr	5hr	8hr	10hr	20hr	
9.60	A	905	655	465	288	150	88	64.3	41.3	29.1	26.3	14.18
	W	9611	6957	4939	3053	1737	1013	744	478	337	304	164.1
10.20	A	815	615	425	272.5	141	83.5	62.5	40.5	28.5	25.6	13.8
	W	9047	6827	4718	3025	1633	967	724	469	329	296	160.1
10.80	A	755	555	375	258	258	79.5	59.5	39.0	27.5	25.0	13.5
	W	8788	6460	4365	2997	2997	925	693	454	320	291	157.1

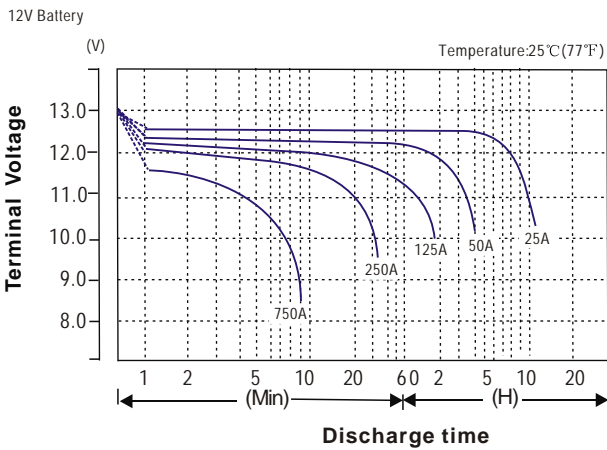
UTY 12V-250 AH



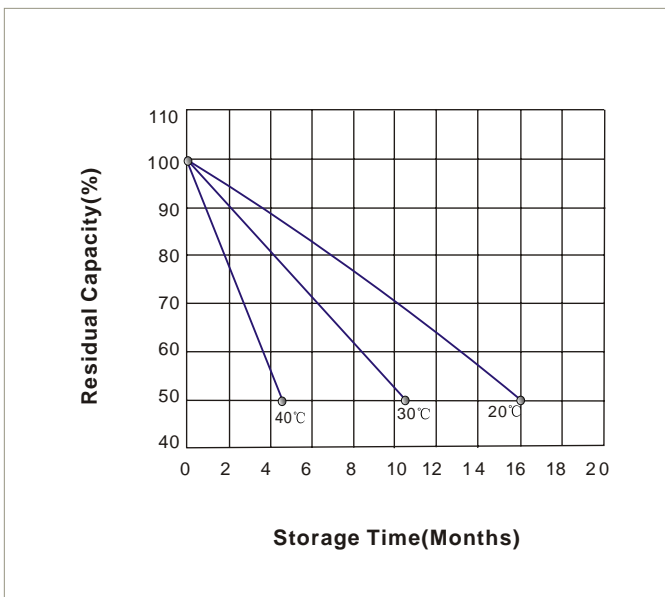
Specifications

Nominal Voltage		12V
Rated Capacity (10HR)		250AH
Dimensions ± 1mm	Total Height	245mm(9.64 inches)
	Height	220mm(8.66 inches)
	Length	520mm(20.50 inches)
	Width	268mm(10.55 inches)
Weight		Approx: 73kg(160.97 lbs)
Terminal		T11、T19

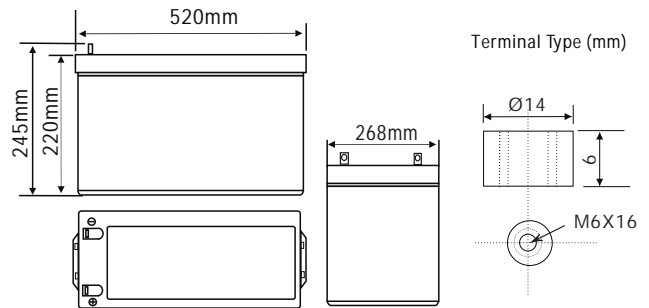
Discharge characteristics



Self discharge characteristics



Appearance



Characteristics

Capacity 77°F (25°C)	10 hour rate(25.0A)	250.0AH
	5 hour rate(40.0A)	200.0AH
	1hour rate(150A)	150.0AH
	15 min rate(440A)	110.0AH
Internal Resistance	Full charged Battery 77°F (25°C)	0.8m Ω
	104°F (40°C)	102%
	77°F (25°C)	100%
	32°F (0°C)	85%
Capacity affected by Temperature (10 hour rate)	5°F (-15°C)	65%
	Capacity after 3 month storage	91%
	Capacity after 6 month storage	82%
Self-Discharge 77°F (25°C)	Capacity after 12 month storage	64%
	Max. Discharge Current 77°F (25°C)	2000A(5S)
Charge (constant voltage)	Cycle	Initial Charging Current 75A or Smaller 14.50-14.90V/77°F (25°C)
	Float	13.50-13.80V/77°F (25°C)

Constant Power Discharge Watts Per Cell @ 77°F (25°C)

Time	5min	10min	15min	30min	1hr	2hr	3hr	5hr	8hr	10hr	20hr	
9.60	A	905	655	465	288	150	88	64.3	41.3	29.1	26.3	14.18
	W	9611	6957	4939	3053	1737	1013	744	478	337	304	164.1
10.20	A	815	615	425	272.5	141	83.5	62.5	40.5	28.5	25.6	13.8
	W	9047	6827	4718	3025	1633	967	724	469	329	296	160.1
10.80	A	755	555	375	258	258	79.5	59.5	39.0	27.5	25.0	13.5
	W	8788	6460	4365	2997	2997	925	693	454	320	291	157.1